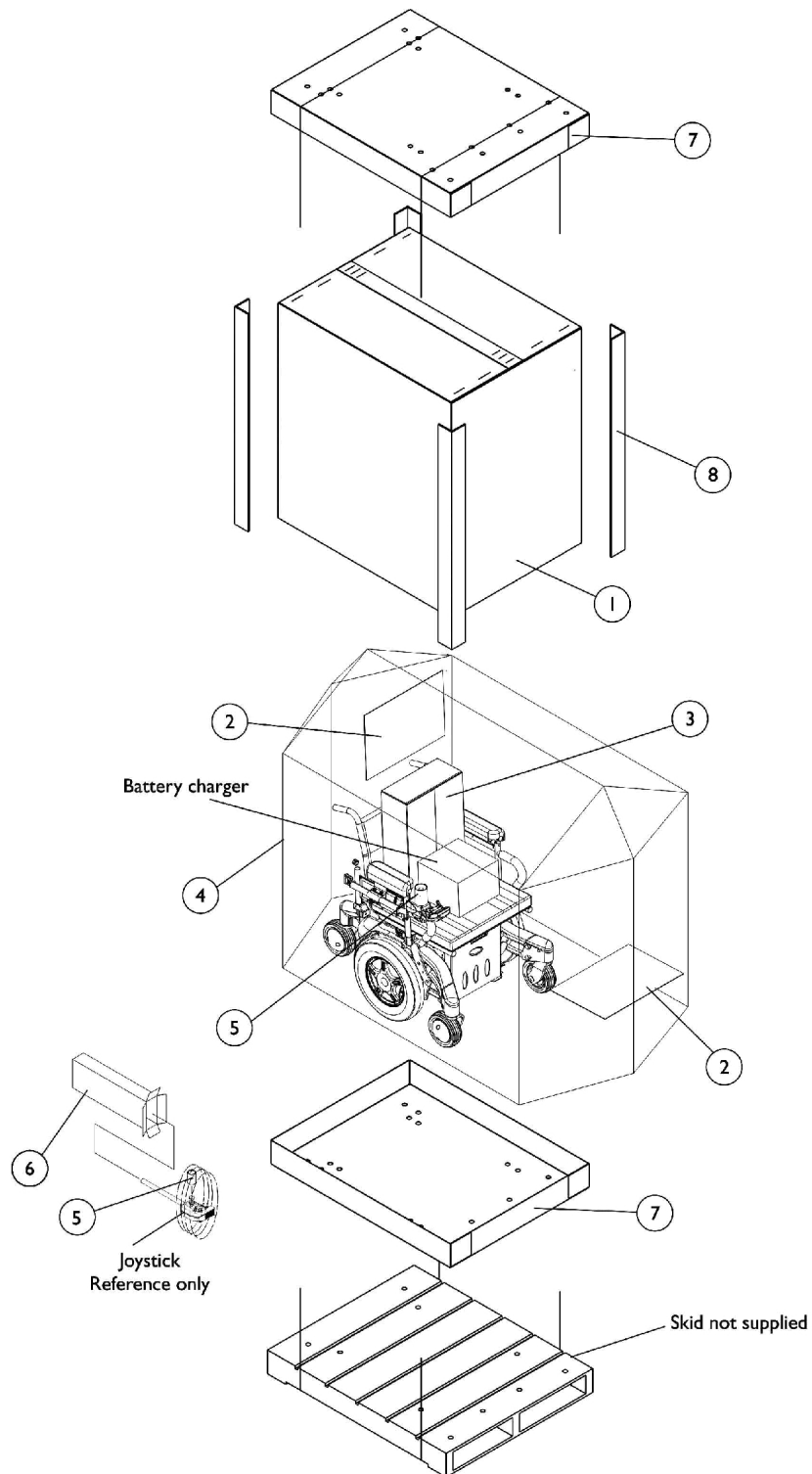


# Packaging, Literature and Decals



## Packaging, Literature and Decals

Item Number	Note	Part Number	Description	Quantity Per	
				Package	Assembly
1	A	1030365	Carton, Cover	1	1
1	B	1030364	Carton, Cover	1	1
1	C	1031682	Carton, Cover	1	1
1	D	1036028	Carton, Cover	1	1
2		40131X161	Insert, Plain Pad	1	2
3		40131X011-NLA	NLA - Carton, Front Riggings	1	1
4		1015592	Bag, Poly (72" L x 35" W x 19" D)	1	1
5		1043198-NLA	NLA - Tube, Paper	1	1
6	L	1012001-NLA	NLA - Carton, Joystick	1	1
7	E	1030362	Carton, Tray	1	2
7	F	1036027	Carton, Tray	1	2
8	E	1115174	Carton, Corner Reinforcement	1	4
8	C	1129589-NLA	Carton, Corner Reinforcement	1	4
8	F	1129590-NLA	Carton, Corner Reinforcement	1	4
	G	00077X031-NLA	NLA - Warranty Card	1	1
	G	1143190-NLA	NLA - Owner's Manual, TDX SP/SR Base	1	1
	G	1143192-NLA	NLA - Owner's Manual, ADJASBA Seat with MK6i Electronics	1	1
	G	1143195-NLA	NLA - Owner's Manual, Van Seat's with MK6i Electronics	1	1
	G,H,I	1144688	Decal, TDX SP, Yellow	1	2
	G,H,I	1149347	Decal, TDX SR, Yellow	1	2
	G,H,J	1121689	Decal, TDX SP, Black	1	2
	G,H,J	1149346	Decal, TDX SR, Black	1	2
	G,K	1083199-NLA	NLA - Label, Hook Tie-Down	1	4

NOTE: A - Base only and all ADJASBA seat only models  
 B - 12" Wide - 20" Wide ADJASBA seat with base models  
 C - 16" Wide - 20" Wide ADJASBA seat with base models with medium and tall seat-to-floor heights  
 D - 21" Wide - 24" Wide ADJASBA seat with base models  
 E - 12" Wide - 20" Wide ADJASBA seat with base and base only models  
 F - 21" Wide - 24" Wide ADJASBA seat with base models  
 G - Not Shown  
 H - Model Decal attaches to the walking beam assembly  
 I - The TDX SP/SR yellow decal is used for all frame colors except 30P Sunny Yellow, 60P Silver Metallic and 71P Silver Vein  
 J - The TDX SP/SR black decal is used for 30P Sunny Yellow, 60P Silver Metallic and 71P Silver Vein frame colors only  
 K - For TRRO/TRBKTS wheelchairs only  
 L - Can use Item #3 part #40131X011 for a Joystick also.

When adjusting or replacing parts, please refer to your Owner's Manual for assistance.