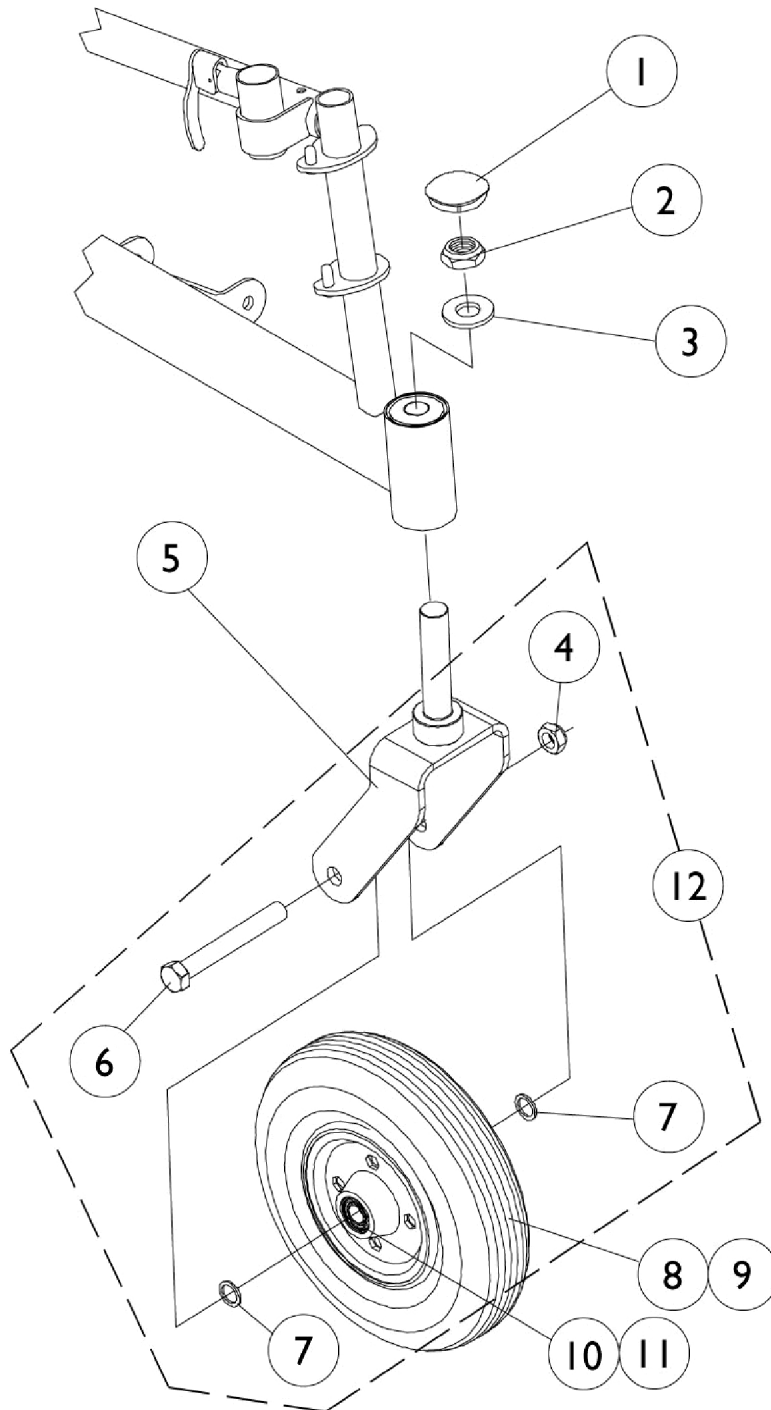


Front Casters and Hardware



Front Casters and Hardware

Item Number	Note	Part Number	Description	Quantity Per	
				Package	Assembly
1		1056739	Plug Button, Head Tube, Black	1	1
2		1028550	Locknut (5/8-18)	1	1
3		1041444	Washer, Nylon (5/8 x 1-5/16 x 1/8")	1	1
4		7930331-NLA	NLA - Locknut (7/16-20")	25	1
5	A	1058556-NLA	NLA - Fork and Stem (8" Caster)	1	1
5	A,B	8881058562-NL A	NLA - Fork, Caster, Standard (8")	1	1
6		1025726	Screw, Hex Head (7/16-20 x 3-1/4")	1	1
7		1025724	Washer, Steel (15/32 x 5/8 x 3/64")	1	2
8	C,D,E	1006058-NLA	NLA - Caster, Semi Pneumatic (8")	1	1
8	C,D,F	1068311-NLA	NLA - Caster, Semi Pneumatic, Charcoal (8")	1	1
8	G	1070811	Wheel Assembly, Semi-Pneumatic, Urethane, Light Grey (8" x 1-3/4")	1	1
9	C	1002002	Wheel Assembly w/ Bearings, Pneumatic (8" x 2")	1	1
9		40176X034	Tire, Pneumatic (8" x 2")	1	1
9		1034942	Tube, Pneumatic Inner (8 x 2")	1	1
10		1006049	Bearing (7/16")	1	2
11		1020592	Spacer, Bearing (7/16 x 5/8 x 1-3/4")	1	1
12	H	1042489	Hardware, Caster Axle	1	2
	I	1071666	Wheel Assembly, Semi-Pneumatic, Urethane, Light Grey (8" x 1-3/4") (Pair)	2	1

NOTE: A - Order caster forks in pairs for chairs manufactured before 3/13/98.
 B - Specify frame color when ordering, see page titled "Frame Finishes, Touch-Up Paints and Upholstery Options."
 C - Includes items 10 and 11
 D - Order in pairs (#1071666) for chairs manufactured before 6/9/97.
 E - Before 1/15/97
 F - After 1/15/97
 G - After 6/8/97
 H - Includes items 4, 6, and 7 to accommodate 1 side only.
 I - Not Shown