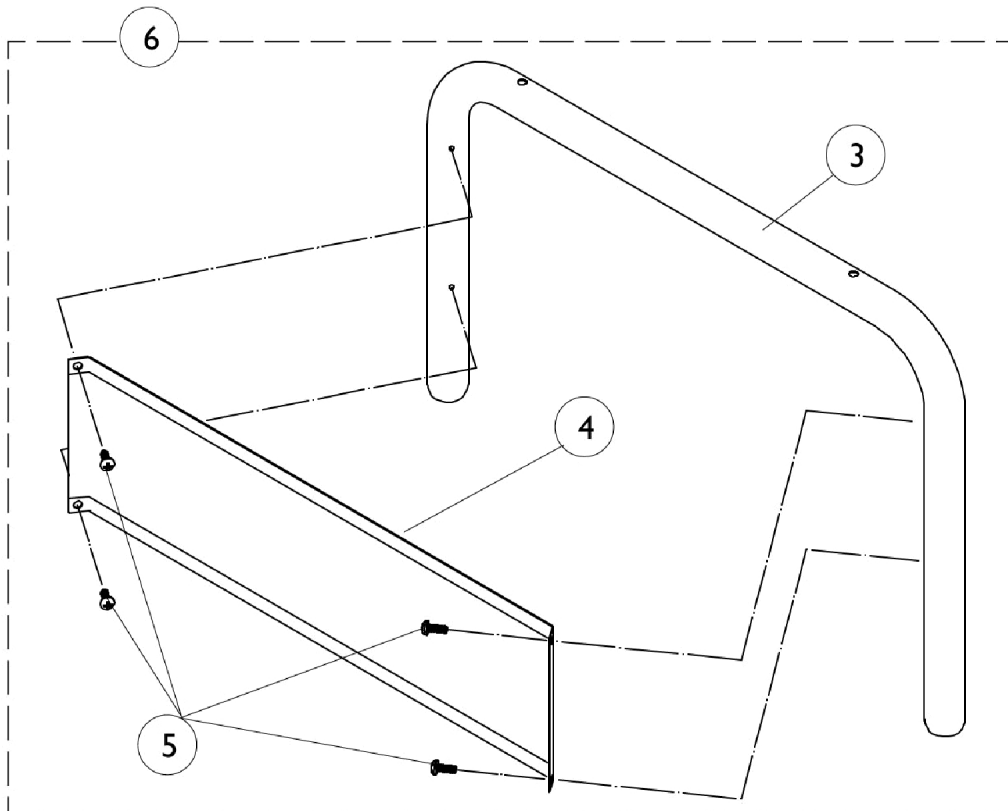
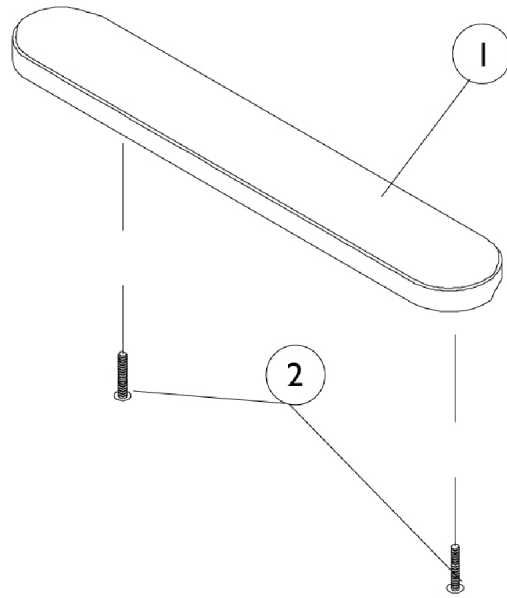


Fixed Height Removable Arms



Fixed Height Removable Arms

| Item Number | Note | Part Number | Description | Quantity Per | |
|-------------|------|--------------------|--|--------------|----------|
| | | | | Package | Assembly |
| 1 | A | 8881015932-NL A | NLA - Pad, Arm, Vinyl, Full Length - Right (14" L x 2" W) | 1 | 1 |
| 1 | A | 8881015933-NL A | NLA - Pad, Arm, Vinyl, Full Length - Left (14" L x 2" W) | 1 | 1 |
| 1 | A | 8881011811-NL A | NLA - Pad, Arm, Vinyl, Desk Length (9" L x 2" W) | 1 | 1 |
| 2 | | 7930327-NLA | NLA - Package, Screw, Phillips Pan Head (#10-32 x 1-1/8") | 25 | 2 |
| 3 | B | 8881057723 | Desk Length Arm Tube (Color), Right | 1 | 1 |
| 3 | B | 8881057724-NL A | NLA - Tube, Arm, Desk Length, Color - Left | 1 | 1 |
| 3 | C,C1 | 1057725-NLA | NLA - Tube, Arm, Desk Length, Chrome - Right | 1 | 1 |
| 3 | C,C1 | 1057726-NLA | NLA - Tube, Arm, Desk Length, Chrome - Left | 1 | 1 |
| 3 | B | 8881057715-NL A | NLA - Tube, Arm, Full Length, Color - Right | 1 | 1 |
| 3 | B | 8881057716-NL A | NLA - Tube, Arm, Full Length, Color - Left | 1 | 1 |
| 3 | C,C1 | 1057717 | NLA - Tube, Arm, Full Length, Chrome - Right | 1 | 1 |
| 3 | C,C1 | 1057718 | NLA - Tube, Arm, Full Length, Chrome - Left | 1 | 1 |
| 4 | | 1035472-NLA | NLA - Guard, Clothing, Desk Length | 1 | 1 |
| 4 | | 1044572-NLA | NLA - Guard, Clothing, Full Length (16 - 19" D) | 1 | 1 |
| 5 | | 1025729 | Screw, Phillips Pan Head Tap (#8-32 x 3/8") | 1 | 4 |
| 6 | B | 8881057729-NL A | NLA - Arm Assembly, Desk Length, Color - Right | 1 | 1 |
| 6 | B | 8881057730-NL A | NLA - Arm Assembly, Desk Length, Color - Left | 1 | 1 |
| 6 | C,C1 | 1057731-NLA | NLA - Arm, Desk Length without Armpad, Chrome - Right | 1 | 1 |
| 6 | C,C1 | 1057732-NLA | NLA - Arm, Desk Length without Armpad, Chrome - Left | 1 | 1 |
| 6 | B | 8881057719-NL A | NLA - Arm, Full Length without Armpad, Color - Right | 1 | 1 |
| 6 | B | 8881057720-NL A | NLA - Arm, Full Length without Armpad, Color - Left | 1 | 1 |
| 6 | C,C1 | 1057721-NLA | NLA - Arm, Full Length without Armpad, Chrome - Right | 1 | 1 |
| 6 | C,C1 | 1057722-NLA | NLA - Arm, Full Length without Armpad (Chrome), Left | 1 | 1 |
| | D | 1041891-NLA | NLA - Tube, Arm, Desk Length, Black - Right | 1 | 1 |
| | D | 1041895-NLA | NLA - Tube, Arm, Desk Length, Black - Left | 1 | 1 |
| | D | 1044513-NLA | NLA - Tube, Arm, Full Length, Standard, Black - Right | 1 | 1 |
| | D | 1044514-NLA | NLA - Tube, Arm, Full Length, Standard, Black - Left | 1 | 1 |
| | D | 1057727-NLA | NLA - Arm Assembly, Desk Length, Chrome - Right | 1 | 1 |
| | D | 1057728-NLA | NLA - Arm Assembly, Desk Length, Chrome - Left | 1 | 1 |
| | D | 1044573-NLA | NLA - Arm Assembly, Full Length, Black - Right (Standard) (16-19" D) | 1 | 1 |
| | D | 1044574-NLA | NLA - Arm Assembly, Full Length, Black - Left (Standard) (16-19" D) | 1 | 1 |

Fixed Height Removable Arms

NOTE: A - Specify upholstery color when ordering, see page titled "Frame Finishes, Touch-Up Paints and Upholstery Options."
B - Specify frame color when ordering, see page titled "Frame Finishes, Touch-Up Paints and Upholstery Options."
C - Chrome is NLA as of 3/22/99. Black replaced chrome. Order arm components in pairs to match. Item 3 desk length order (Right part #1041891 and Left part #1041895). Item 3 full length order (Right part #1044513) and (Left part #1044514).
C1 - Item 6 desk length order (Right part #1057727 and Left part #1057728). Item 6 full length order (Right part #1044573 and Left part #1044574).
D - Not Shown