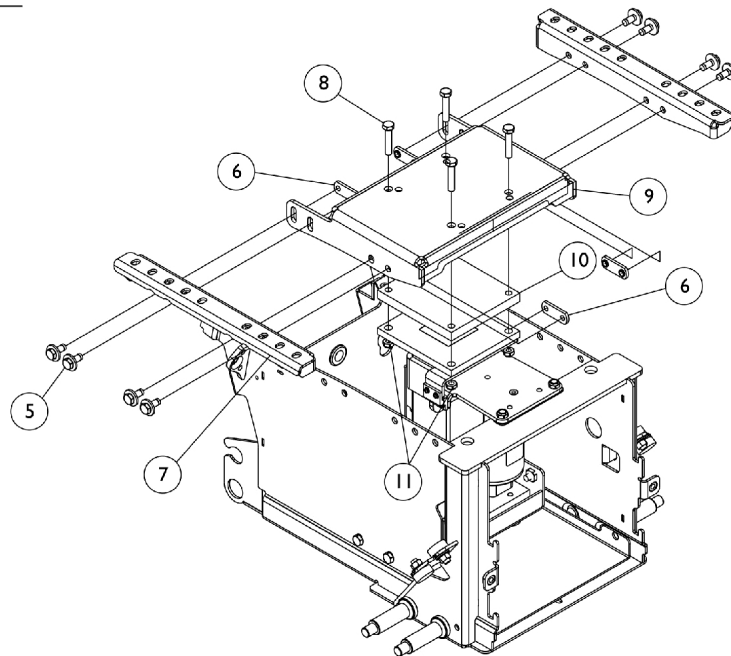
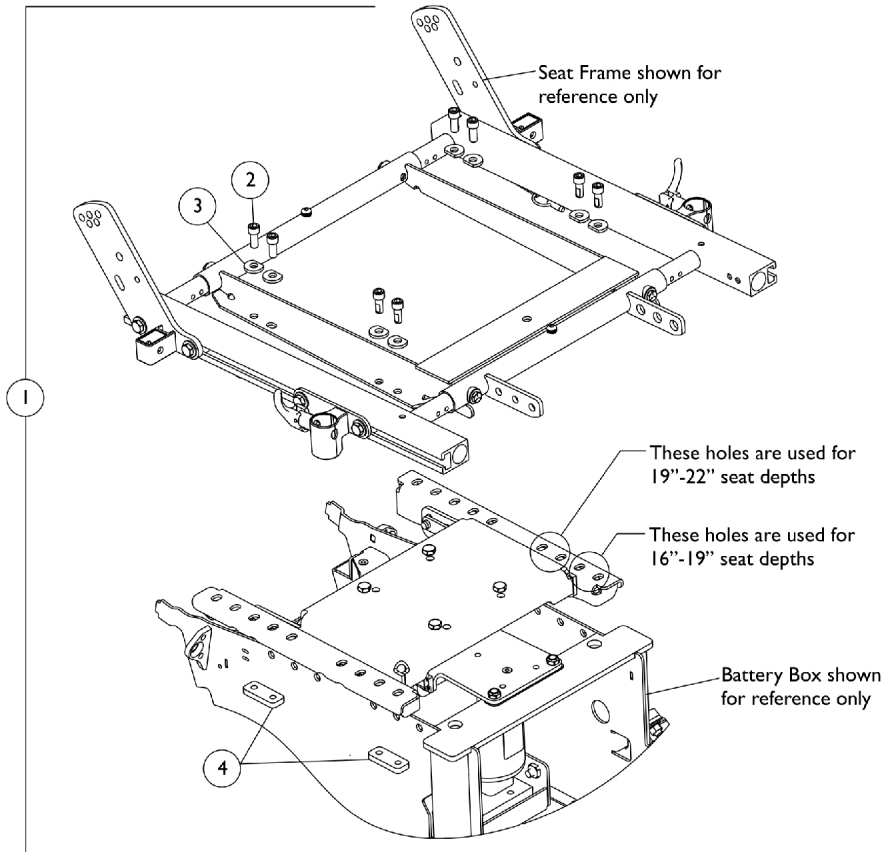


# Seat Frame Mounting Hardware (16"-22" Wide) After 1/3/08 (CGE) - TDX SP/SP-GT/SR

After 1/3/08 CGE is offered on narrow and wide battery boxes



## Seat Frame Mounting Hardware (16"-22" Wide) After 1/3/08 (CGE) - TDX SP/SP-GT/SR

After 1/3/08 CGE is offered on narrow and wide battery boxes

Item Number	Note	Part Number	Description	Quantity Per	
				Package	Assembly
1	A	1144686	Kit, Seat Frame Mounting Hardware	1	1
2			NLA - Screw, Socket Head (5/16-18 x 3/4")	1	8
3			NLA - Washer, Ground (11/32 x 13/16 x 1/8")	1	8
4			Plate, Nut (5/16-18)	1	4
5		1142304	Screw, Hex Head SEMS w/ Patch (5/16-18 x 3/4")	1	8
6		1121721-NLA	NLA - Nut, Weld (5/16-18 x 1-1/8" Spacing)	1	4
7		1121710	NLA - Plate, Elevate Seat Mounting - Right	1	1
7		1121711-NLA	NLA - Plate, Elevate Seat Mounting - Left	1	1
8		1070398-NLA	NLA - Screw, Hex Head (5/16-18 x 1-1/2")	1	4
9		1147098-NLA	NLA - Bracket, Seat Mounting, Elevate, Black	1	1
10		1154065-NLA	NLA - Block, Actuator Motor Spacer	1	1
11		1028769	Locknut (5/16-18)	1	4

NOTE: A - Includes items 2-4