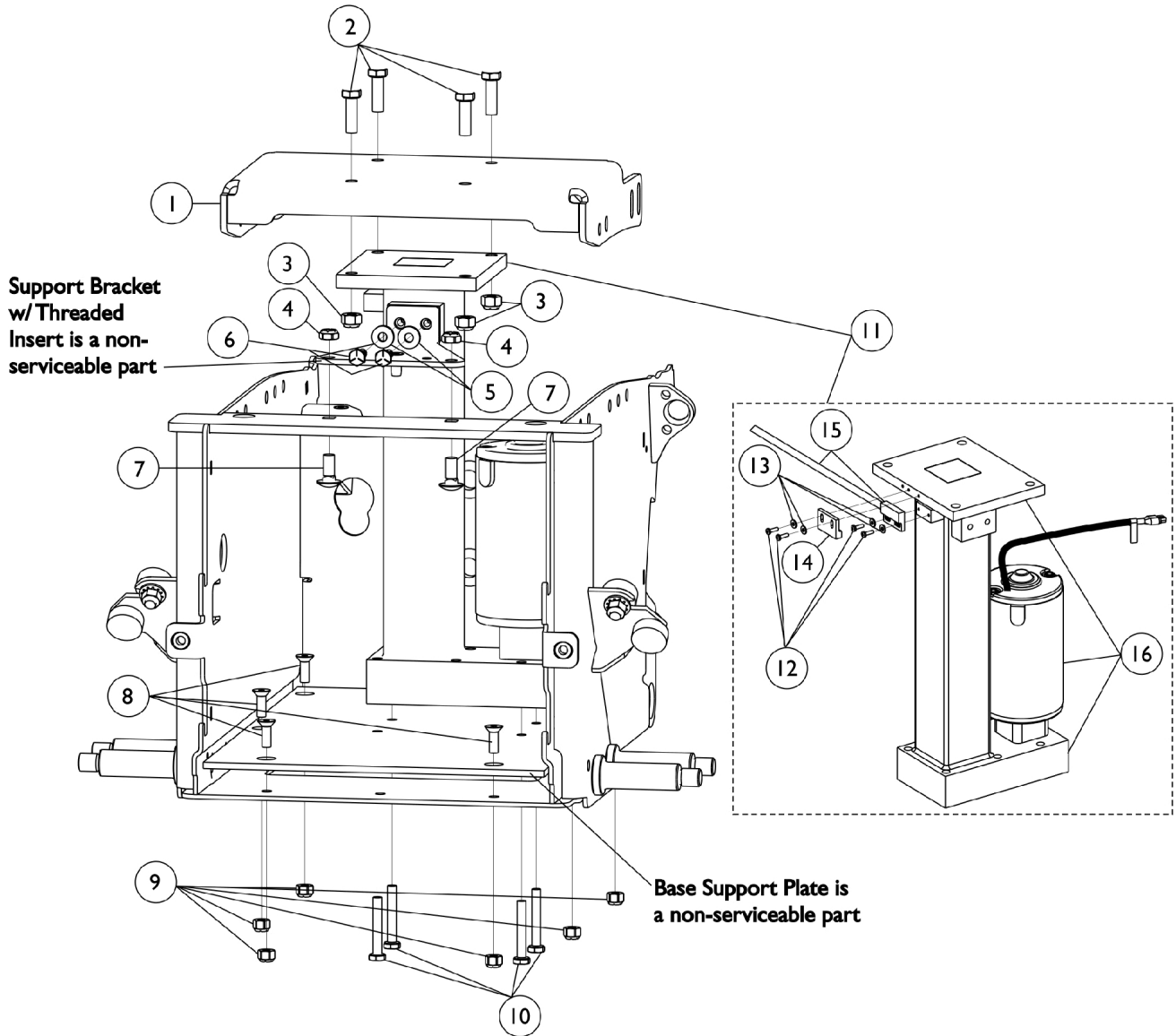


Elevate Actuator Motor & Mounting Hardware

Before 1/4/08 (CGE) - TDX SP



Elevate Actuator Motor & Mounting Hardware Before 1/4/08 (CGE) - TDX SP

Item Number	Note	Part Number	Description	Quantity Per	
				Package	Assembly
1		1147098-NLA	NLA - Bracket, Seat Mounting, Elevate, Black	1	1
2		1003548	Screw, Hex Head (5/16-18 x 1")	1	4
3		1026158	Locknut (5/16-18)	1	4
4		1028769	Locknut (5/16-18)	1	2
5		1018739	Washer (1/4 x 5/8 x 3/32")	1	2
6		1045267	Screw, Hex Head w/ Patch (1/4-20 x 3/4")	1	2
7		1146551-NLA	NLA - Screw, Round Head Square Neck (5/16-18 x 3/4")	1	2
8		1029545	Screw, Socket Flat Head (1/4-20 x 3/4")	1	6
9		1025736	Locknut (1/4-20)	1	6
10		1037610	Screw, Hex Head (1/4-20 x 1-5/8")	1	4
11	A	1147156-NLA	NLA - Actuator Motor w/ Switch and Hardware (Elevate)	1	1
12			NLA - Screw, Phillips Pan Head (#4-40 x 3/8")	1	4
13			NLA - Washer, Plain (1/8 x 5/16 x 1/32")	1	4
14			Sensor, Actuator Switch	1	1
15			Sensor, Proximity Switch (30 1/4" L)	1	1
16			NLA - Actuator Motor Assembly, Elevate	1	1
12		1027704-NLA	NLA - Screw, Phillips Pan Head (#4-40 x 3/8")	1	4
13		1011011-NLA	NLA - Washer, Plain (1/8 x 5/16 x 1/32")	1	4
14		1024001	Sensor, Actuator Switch	1	1
15		1122586	Sensor, Proximity Switch (30 1/4" L)	1	1
16		1147503-NLA	NLA - Actuator Motor Assembly, Elevate	1	1

NOTE: A - Includes items 12-16