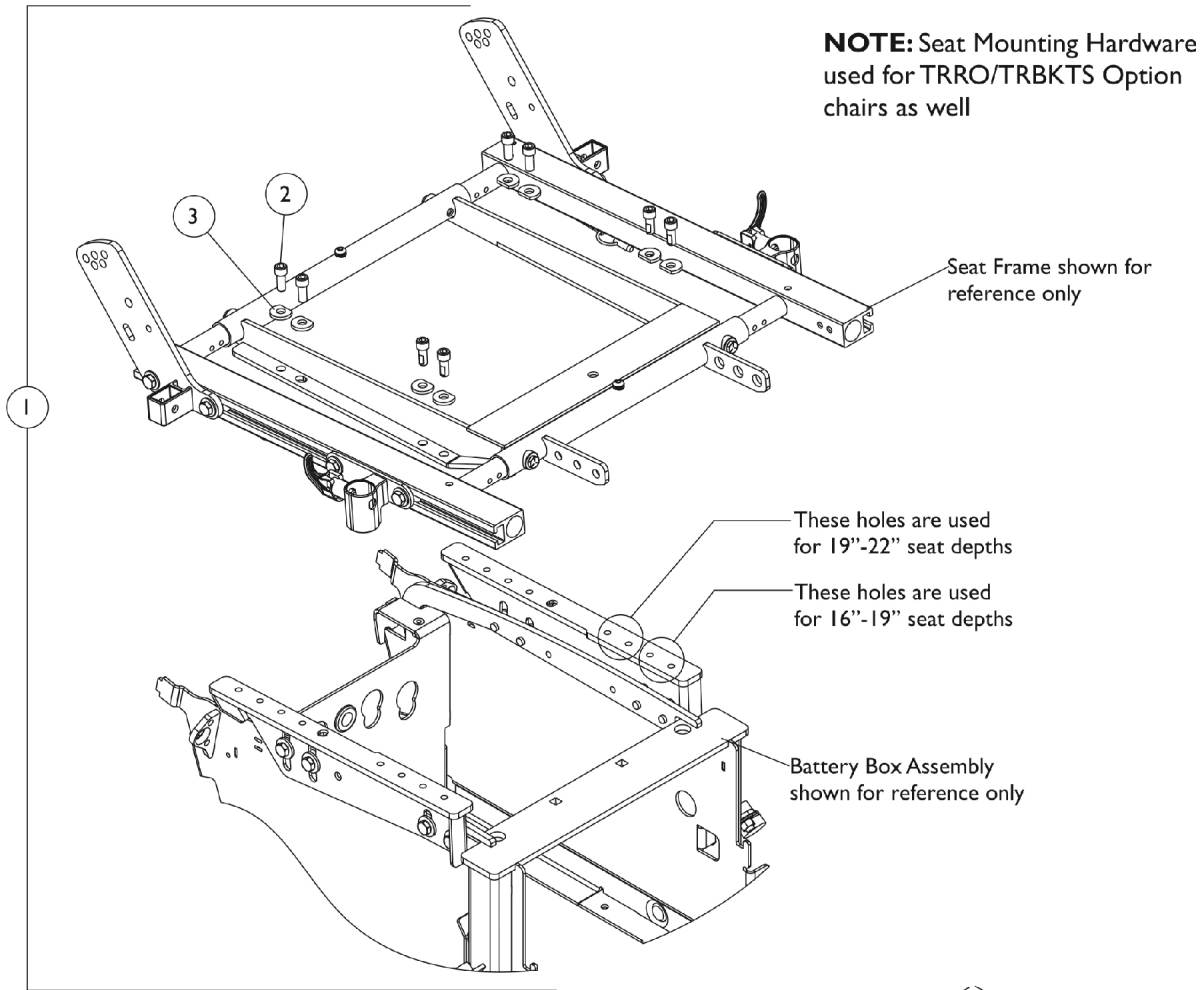
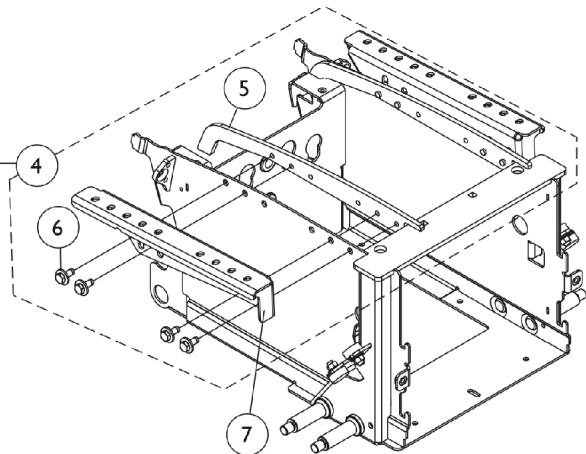


# ADJASBA Seat Frame Mounting Hardware (16"-24" Wide) (For GP24 Battery Box)



**NOTE:** Mounting Plate Hardware for TRRO/TRBKTS Options can be found on page titled "Battery Box Tie-Down Bracket Mounting Hardware For TRRO/TRBKTS Option"



**Mounting Plate Hardware**

## ADJASBA Seat Frame Mounting Hardware (16"-24" Wide) (For GP24 Battery Box)

Item Number	Note	Part Number	Description	Quantity Per	
				Package	Assembly
1	A	1147132	Kit, Seat Frame Mounting Hardware (For GP24 Batteries)	1	1
2			NLA - Screw, Socket Head (5/16-18 x 3/4")	1	8
3			NLA - Washer, Ground (11/32 x 13/16 x 1/8")	1	8
4	B	1147130	Kit, Interface Mounting Plate Hardware	1	1
5			Plate, Nut	1	2
6			Screw, Hex Head SEMS w/ Patch (5/16-18 x 3/4")	1	8
7	C,D	1147056	Plate, Low Seat-To-Floor Mounting - Right (For GP24 Batteries)	1	1
7	C,D	1147057	Plate, Low Seat-To-Floor Mounting - Left (For GP24 Batteries)	1	1
7	E	1147058	Plate, Medium Seat-To-Floor Mounting - Right (For GP24 Batteries)	1	1
7	E	1147059	Plate, Medium Seat-To-Floor Mounting - Left (For GP24 Batteries)	1	1
7	E	1147060	Plate, High Seat-To-Floor Mounting - Right (For GP24 Batteries)	1	1
7	E	1147061	Plate, High Seat-To-Floor Mounting - Left (For GP24 Batteries)	1	1

NOTE: A - Includes items 2, 3 and used for TRRO/TRBKTS option also.  
 B - Includes items 5 and 6  
 C - LOW Seat-To-Floor is used when TRRO/TRBKTS option is ordered  
 D - When TRRO/TRBKTS option is used, refer to page titled "Battery Box Tie-Down Bracket Mounting Hardware For TRRO/TRBKTS Option" for Mounting Plate Hardware.  
 E - Seat-To-Floor Mounting Bracket was revised to accommodate CTMT Riggings. It is recommended to order brackets in pairs for chairs manufactured before 1/10/08.