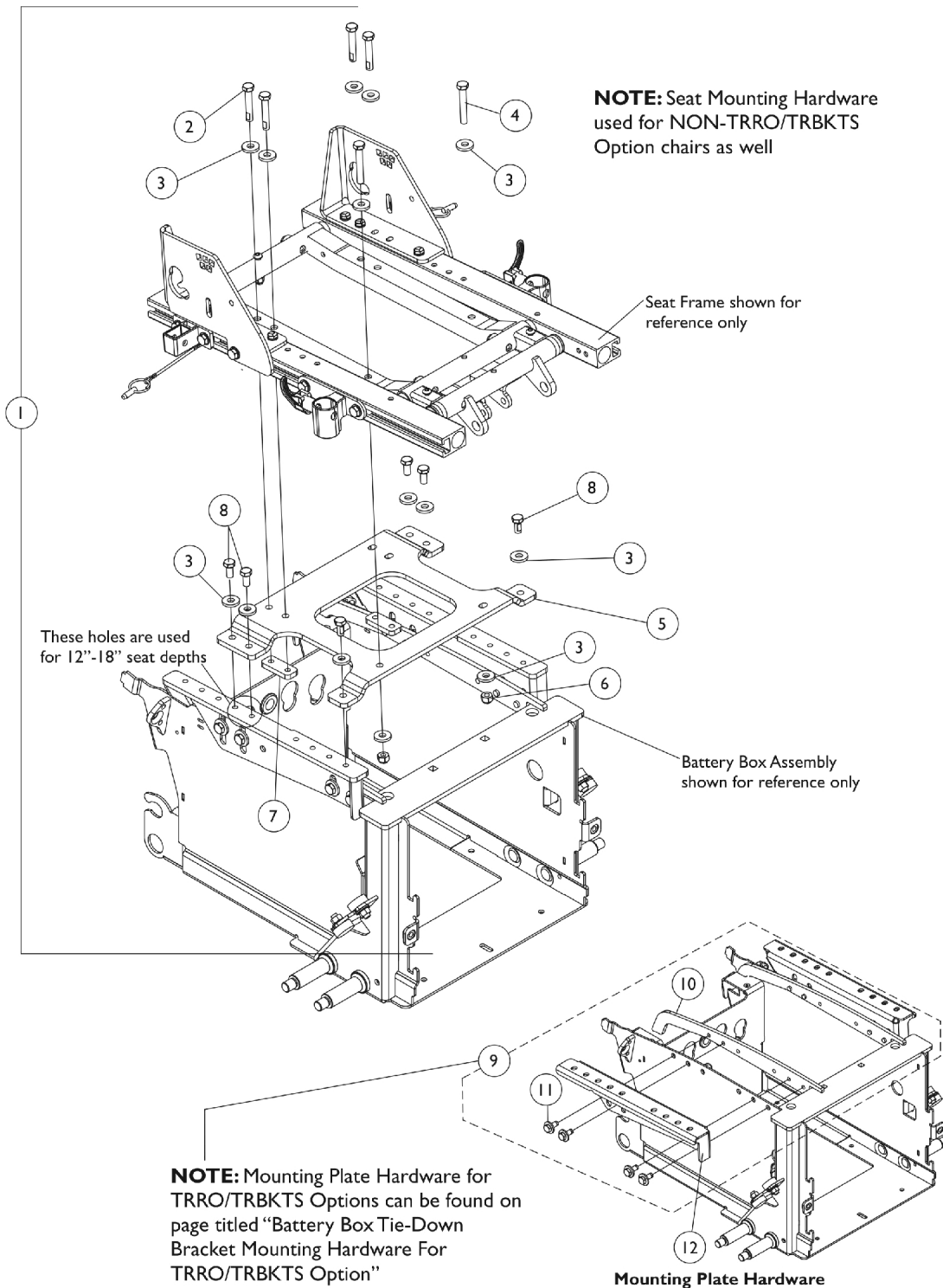


ADJASBA Seat Frame Mounting Hardware (12"-16" Wide) (For GP24 Battery Box)



ADJASBA Seat Frame Mounting Hardware (12"-16" Wide) (For GP24 Battery Box)

Item Number	Note	Part Number	Description	Quantity Per	
				Package	Assembly
1	A	1149361-NLA	NLA - Kit, Seat Frame Mounting Hardware (For 12"-16" Wide w/ GP24 Batteries)	1	1
2			NLA - Screw, Hex Head w/ Patch (5/16-18 x 1-3/4")	1	4
3			Washer, Flat (21/64 x 53/64 x 7/64")	1	14
4			NLA - Screw, Hex Head (5/16-18 x 2")	1	2
5			Bracket, Seat Frame Mounting, Black (12 - 16" W)	1	1
6			Locknut (5/16-18)	1	2
7			Plate, Nut (5/16-18)	1	2
8			Screw, Hex Head w/ Patch (5/16-18 x 5/8")	1	6
9	B	1147130	Kit, Interface Mounting Plate Hardware	1	1
10			Plate, Nut	1	2
11			Screw, Hex Head SEMS w/ Patch (5/16-18 x 3/4")	1	8
12	C,D	1147056	Plate, Low Seat-To-Floor Mounting - Right (For GP24 Batteries)	1	1
12	C,D	1147057	Plate, Low Seat-To-Floor Mounting - Left (For GP24 Batteries)	1	1
12	E	1147058	Plate, Medium Seat-To-Floor Mounting - Right (For GP24 Batteries)	1	1
12	E	1147059	Plate, Medium Seat-To-Floor Mounting - Left (For GP24 Batteries)	1	1
12	E	1147060	Plate, High Seat-To-Floor Mounting - Right (For GP24 Batteries)	1	1
12	E	1147061	Plate, High Seat-To-Floor Mounting - Left (For GP24 Batteries)	1	1

NOTE: A - Includes items 2-8 and used for TRRO/TRBKTS option also.
B - Includes items 10 and 11
C - When TRRO/TRBKTS option is ordered, the LOW Seat-To-Floor Mounting Plates are used.
D - When TRRO/TRBKTS option is used, refer to page titled "Battery Box Tie-Down Bracket Mounting Hardware For TRRO/TRBKTS Option" for Mounting Plate Hardware.
E - Seat-To-Floor Mounting Bracket was revised to accommodate CTMT Riggings. It is recommended to order brackets in pairs for chairs manufactured before 1/10/08.