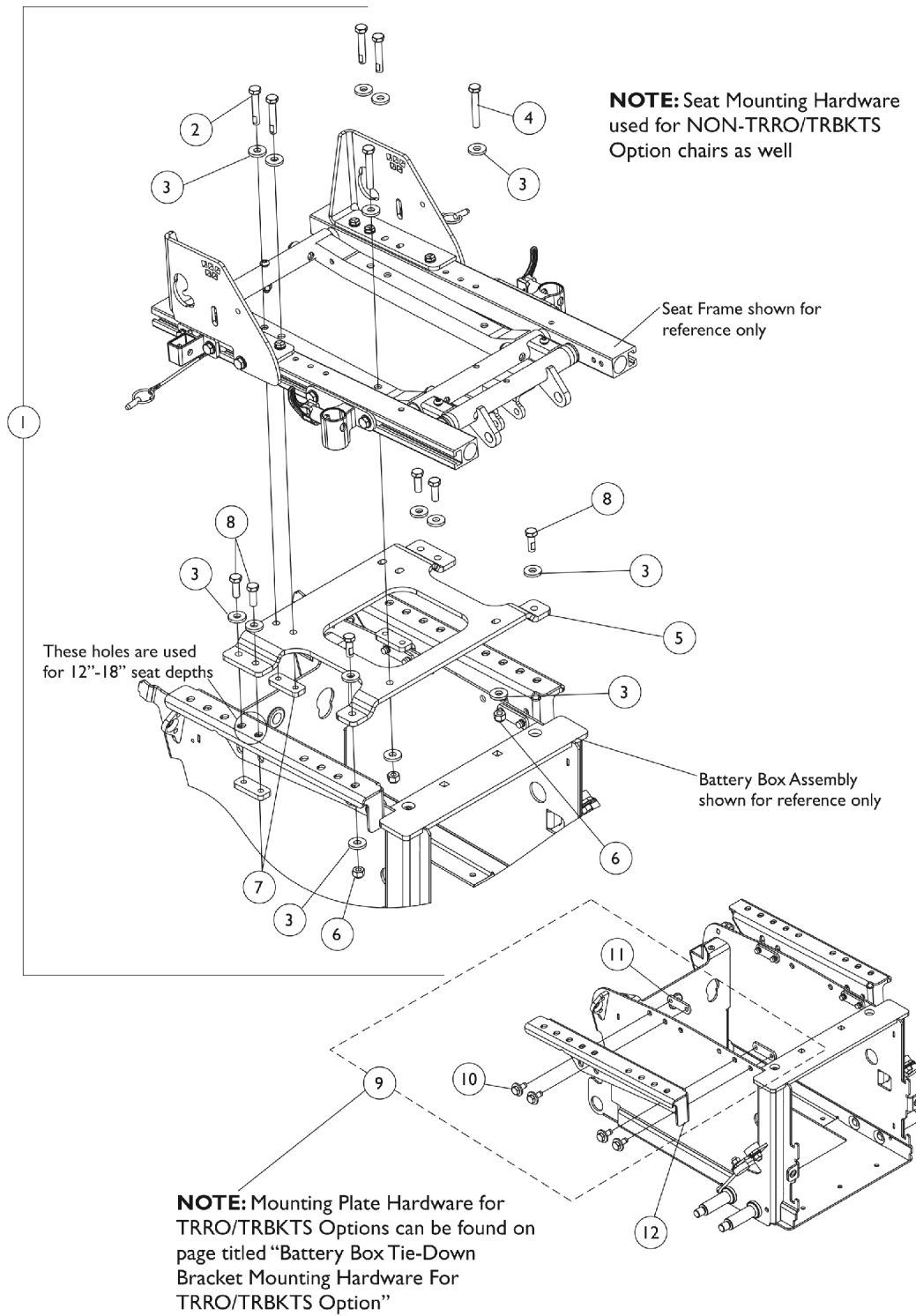


# ADJASBA Seat Frame Mounting Hardware (12"-16" Wide) (For 22NF Battery Box)



## ADJASBA Seat Frame Mounting Hardware (12"-16" Wide) (For 22NF Battery Box)

Item Number	Note	Part Number	Description	Quantity Per	
				Package	Assembly
1	A	1144687-NLA	NLA - Kit, Seat Frame Mtg. Hdwr. 12"-16" Wide	1	1
2			NLA - Screw, Hex Head w/ Patch (5/16-18 x 1-3/4")	1	4
3			Washer, Flat (21/64 x 53/64 x 7/64")	1	16
4			NLA - Screw, Hex Head (5/16-18 x 2")	1	2
5			Bracket, Seat Frame Mounting, Black (12 - 16" W)	1	1
6			Locknut (5/16-18)	1	4
7			Plate, Nut (5/16-18)	1	4
8			NLA - Screw, Hex Head w/ Patch (5/16-18 x 1")	1	6
9	B	1144676	Kit, Mounting Plate Hardware	1	1
10			Screw, Hex Head SEMS w/ Patch (5/16-18 x 3/4")	1	8
11			Nut, Weld (5/16-18 x 1-3/8" Spacing)	1	4
12	C,C1,D	1142298	Plate, Low Seat-To-Floor Mounting - Right	1	1
12	C,C1,D	1142299	Plate, Low Seat-To-Floor Mounting - Left	1	1
12	E	1142300	Plate, Medium Seat-To-Floor Mounting - Right	1	1
12	E	1142301	Plate, Medium Seat-To-Floor Mounting - Left	1	1
12	E	1142302	Plate, High Seat-To-Floor Mounting - Right	1	1
12	E	1142303	Plate, High Seat-To-Floor Mounting - Left	1	1

NOTE: A - Includes items 2-8 and used for TRRO/TRBKTS option also.  
 B - Includes items 10 and 11  
 C - When TRRO/TRBKTS option is ordered, the LOW Seat-To-Floor Mounting Plates are used. For chairs manufactured before 11/8/06, it is recommended to replace the Mounting Plates in pairs. The rear holes went from a 4 to 5 hole location settings.  
 C1 - This will allow a CTMT Rigging to be attached  
 D - When TRRO/TRBKTS option is used, refer to page titled "Battery Box Tie-Down Bracket Mounting Hardware For TRRO/TRBKTS Option" for Mounting Plate Hardware.  
 E - Seat-To-Floor Mounting Bracket was revised to accommodate CTMT Riggings. It is recommended to order brackets in pairs for chairs manufactured before 1/10/08.