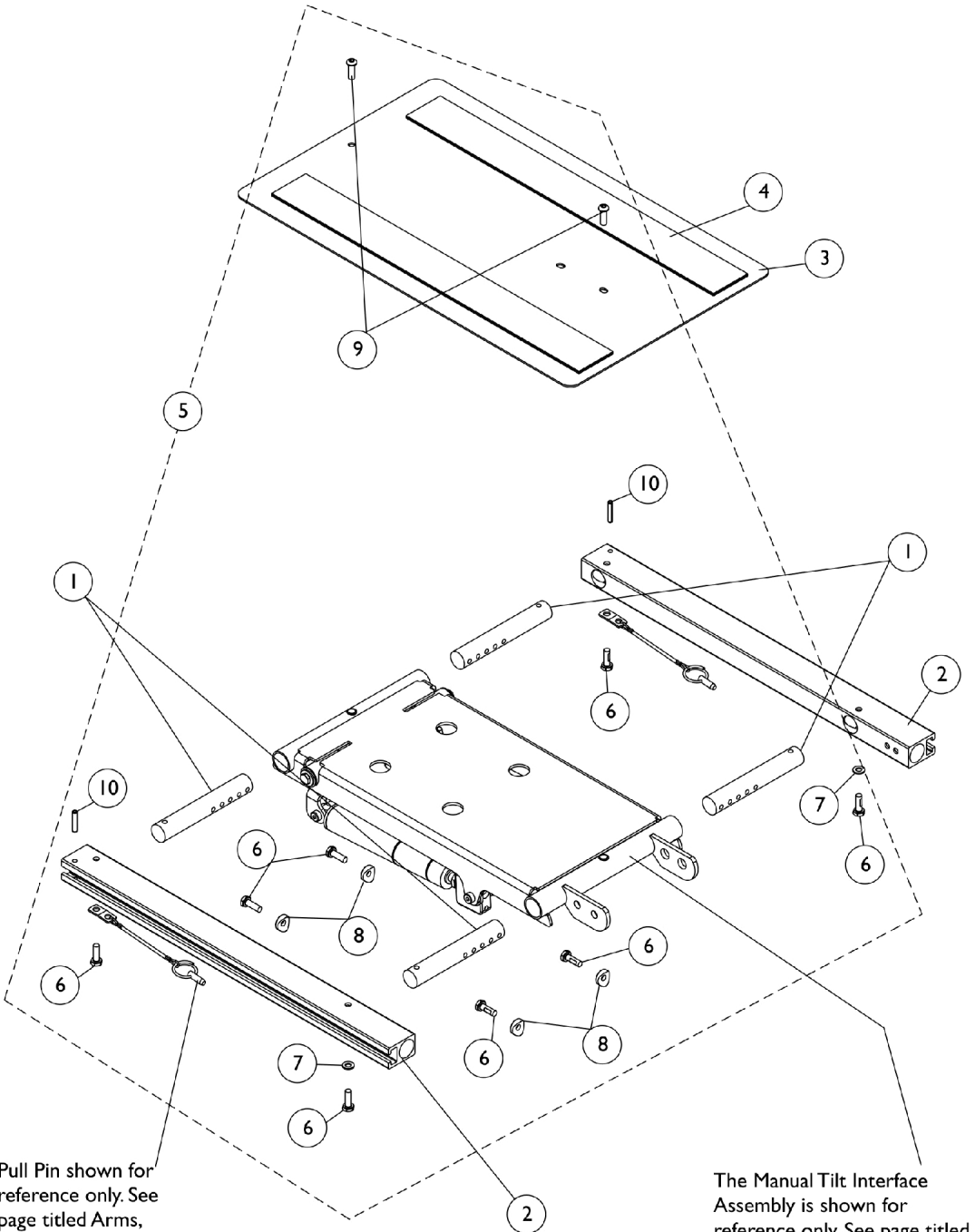


ADJASBA Seat Frame, Seat Pan and Hardware (12"-16" Wide) Manual Tilt



Pull Pin shown for reference only. See page titled Arms, Mounting Swingaway Hardware

The Manual Tilt Interface Assembly is shown for reference only. See page titled Manual Tilt Interface Assembly

ADJASBA Seat Frame, Seat Pan and Hardware (12"-16" Wide) Manual Tilt

Item Number	Note	Part Number	Description	Quantity Per	
				Package	Assembly
1		1126126-NLA	NLA - Crossbar, Seat Frame (12 - 16" W)	1	4
2		1122647	Rail, Seat Frame (16 - 20" D For Formula TRE and 16 - 19" D For ADJASBA)	1	2
3	A	1142961	Pan, Seat, with Hook and Loop Fasteners (12 - 16" W x 12 - 18" D)	1	1
4		1043082	Hook Fastener with Adhesive Back (2" W x 18" L)	1	2
4		1044580	Loop Fastener with Adhesive Back (2" W x 18" L)	1	2
5	B	1135501	Kit, Seat Frame Assembly Hardware	1	1
6			Screw, Hex Head w/ Patch (1/4-20 x 3/4")	1	8
7			Washer (1/4 x 1/2 x 1/16")	1	2
8			Spacer, Coved (1/4 x 11/16 x 1/2")	1	4
9			Screw, Socket Button (1/4-20 x 3/4")	1	2
10			NLA - Pin, Roll (3/16 x 1")	1	2
NOTE: A - Includes item 4 B - Includes items 6-10					