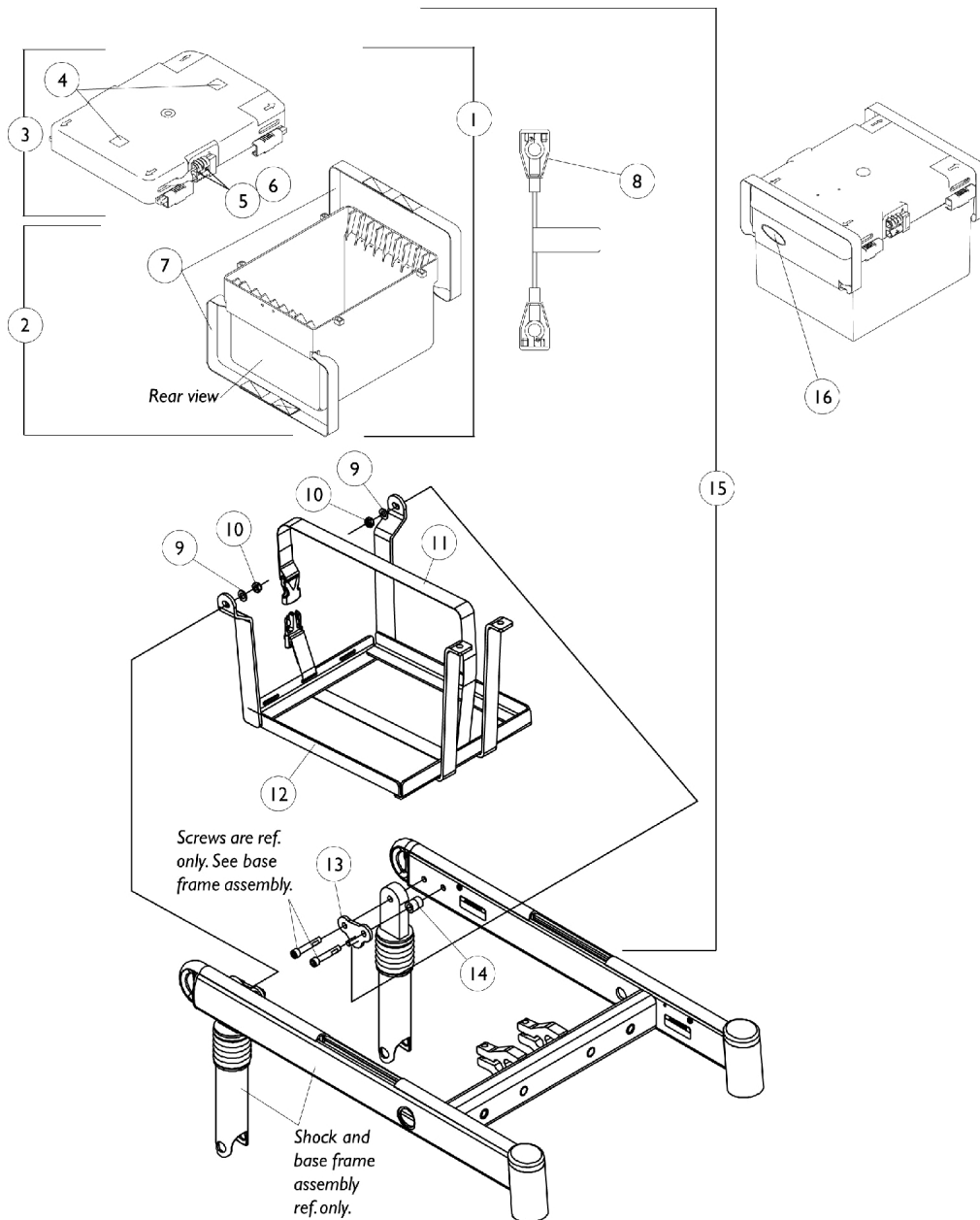


Battery Box and Tray Assembly

22NF Batteries

NOTE: [Before 10/9/06: 22NF battery boxes were standard on Torque SP (250TQ) and (251-300TQ) models.]

NOTE: [After 10/8/06: 22NF battery boxes are standard on Torque SP (300 Lb. Limit) models.]. [Standard on Torque SE introduced 11/15/06 & Torque 3 introduced 12/19/07]



Battery Box and Tray Assembly

22NF Batteries

NOTE: [Before 10/9/06: 22NF battery boxes were standard on Torque SP (250TQ) and (251-300TQ) models.]

NOTE: [After 10/8/06: 22NF battery boxes are standard on Torque SP (300 Lb. Limit) models.]. [Standard on Torque SE introduced 11/15/06 & Torque 3 introduced 12/19/07]

Item Number	Note	Part Number	Description	Quantity Per	
				Package	Assembly
1	A	1050175	Battery Box Assembly	1	1
2		1049365	Battery Box Bottom with Straps	1	1
3	B	1049366	Battery Box Lid Assembly	1	1
4		1070504-NLA	NLA - Fastener, Hook with Adhesive Back (1" W x 1" L)	1	2
5		1037901-NLA	NLA - Screw, Phillips Pan Head (#6-32 x 7/8")	1	2
6		P0870X050-NLA	NLA - Nut, Keps (#6-32)	1	2
7		50000X121	Strap, Battery Lift	1	2
8		50000X123	Cable, Battery Jumper	1	1
9		1025704	Washer, Flat (5/16 x 5/8 x 1/16")	1	2
10		1028769	Locknut (5/16-18)	1	2
11		1049846	Strap Assembly, Battery	1	1
12		1092190-NLA	NLA - Battery Tray with Strap Assembly	1	1
13		1049354-NLA	NLA - Bracket, Hanger, Black	1	2
14		1104881	Spacer (3/8 x 5/8 x 3/4")	1	2
15	C	1104837	Battery Box/ Tray Assembly	1	1
16		1095489	Decal, Invacare 3-D Logo (2-1/2" L)	1	1
	D	1089385	Fuse, MIDI (Non-G/B & G/B) (80 AMP)	1	1

NOTE: A - Includes items 2 and 3
 B - Includes items 4-6
 C - Includes items 1, 8-10 and 12-14
 D - Not Shown