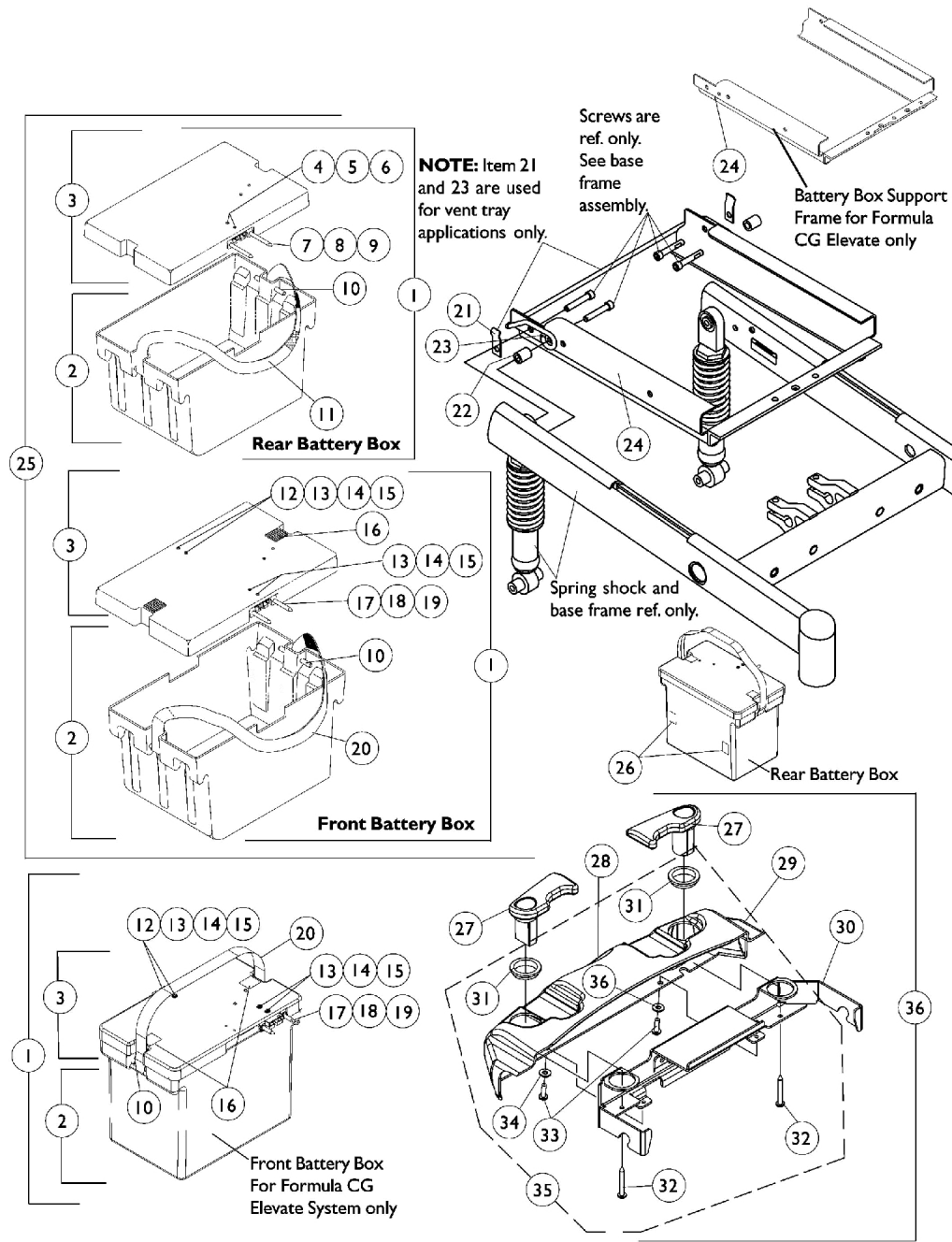


Battery Boxes & Support Frame

Group 24 Batteries

NOTE: [Before 10/9/06: Group 24 battery boxes were standard on Arrow, Ranger X (U300) and Torque SP (301-350TQHD) models. Group 24 battery boxes are optional on Torque SP (250TQ) and (251-300TQ) models.]

[NOTE: After 10/8/06: Group 24 battery boxes are standard on Arrow and Ranger X and optional on Torque SP & (Torque SE introduced 11/15/06) & (Torque 3 introduced 12/19/07)]



Battery Boxes & Support Frame

Group 24 Batteries

NOTE: [Before 10/9/06: Group 24 battery boxes were standard on Arrow, Ranger X (U300) and Torque SP (301-350TQHD) models. Group 24 battery boxes are optional on Torque SP (250TQ) and (251-300TQ) models.]

[NOTE: After 10/8/06: Group 24 battery boxes are standard on Arrow and Ranger X and optional on Torque SP & (Torque SE introduced 11/15/06) & (Torque 3 introduced 12/19/07)]

Item Number	Note	Part Number	Description	Quantity Per	
				Package	Assembly
1	A	1039705	Battery Box Assembly w/ Black Battery Connector, Front	1	1
1	J,K	1123974	Battery Box Assembly w/ Red Battery Connector, Front	1	1
1	N	1146296-NLA	NLA - Battery Box Assembly w/ Black Battery Connector, Front, For Formula CG Elevate System Only	1	1
1	K,P	1151803-NLA	NLA - Battery Box Assembly w/ Red Battery Connector, Front, For Formula CG Elevate System Only	1	1
1	A	1041440	Battery Box Assembly w/ Black Battery Connector, Rear	1	1
1	J,K	1123975	Battery Box Assembly w/ Red Battery Connector, Rear	1	1
2	B	1041439	Battery Box Bottom Assembly, Front	1	1
2	B	1146293-NLA	NLA - Battery Box Bottom Assembly, Front, For Formula CG Elevate System Only	1	1
2	C	1041438	Battery Box Bottom Assembly, Rear	1	1
3	I	1041432	Battery Box Lid Assembly w/ Black Battery Connector, Front	1	1
3	J,K	1123962-NLA	NLA - Battery Box Lid Assembly w/ Red Battery Connector, Front	1	1
3	N	1146294-NLA	NLA - Battery Box Lid Assembly w/ Black Battery Connector, Front, For Formula CG Elevate System Only	1	1
3	K,P	1151801-NLA	NLA - Battery Box Lid Assembly w/ Red Battery Connector, Front, For Formula CG Elevate System Only	1	1
3	I	1085414	Battery Box Lid Assembly w/ Black Battery Connector, Rear	1	1
3	J,K	1123963-NLA	NLA - Battery Box Lid Assembly w/ Red Battery Connector, Rear	1	1
4		1039773-NLA	NLA - Screw, Phillips Pan Head (#6-32 x 1-1/8")	1	2
5		1043599-NLA	NLA - Washer, Flat (5/32 x 3/8 x 1/32")	1	2
6		P0870X050-NLA	NLA - Nut, Keps (#6-32)	1	2
7		1041421	Pin, Connector Guide	1	4
8		1041422	Ring, Retaining	1	1
9		1041420	Bracket, Connector Guide Mounting	1	2
10		1041433-NLA	NLA - Pin, Handle	1	1
11		1041434	Handle, Strap, Rear Battery Box, Black	1	2
12		1041420	Bracket, Connector Guide Mounting	1	2
13		1043599-NLA	NLA - Washer, Flat (5/32 x 3/8 x 1/32")	1	4
14		1039773-NLA	NLA - Screw, Phillips Pan Head (#6-32 x 1-1/8")	1	4
15		P0870X050-NLA	NLA - Nut, Keps (#6-32)	1	4

Battery Boxes & Support Frame

Group 24 Batteries

NOTE: [Before 10/9/06: Group 24 battery boxes were standard on Arrow, Ranger X (U300) and Torque SP (301-350TQHD) models. Group 24 battery boxes are optional on Torque SP (250TQ) and (251-300TQ) models.]

[NOTE: After 10/8/06: Group 24 battery boxes are standard on Arrow and Ranger X and optional on Torque SP & (Torque SE introduced 11/15/06) & (Torque 3 introduced 12/19/07)]

Item Number	Note	Part Number	Description	Quantity Per	
				Package	Assembly
16		1070504-NLA	NLA - Fastener, Hook with Adhesive Back (1" W x 1" L)	1	2
17		1041421	Pin, Connector Guide	1	2
18		1041422	Ring, Retaining	1	4
19		1041420	Bracket, Connector Guide Mounting	1	2
20		1041435	Handle, Strap, Front Battery Box, Black	1	2
21		1049550-NLA	NLA - Clip, Retainer	1	2
22		1039649-NLA	NLA - Spacer (3/8 x 5/8 x 25/32")	1	2
22		1104881	Spacer (3/8 x 5/8 x 3/4")	1	1
23	Q	1049549-NLA	NLA - Retainer Bar, Battery Box	1	1
24		1086974	Frame, Battery Box Support, Black	1	1
24		1144774-NLA	NLA - Frame, Battery Box Support, Black (Formula CG Elevate Only)	1	1
25	G	1104859-NLA	NLA - Battery Box Assemblies, Support Frame and Hardware, with Vent Present	1	1
25	L	1124559-NLA	NLA - Battery Box Assemblies, Support Frame and Hardware, with Vent Present	1	1
25	H	1104821	Battery Box Assemblies, Support Frame and Hardware, without Vent Present	1	1
25	M	1123976	Battery Box Assemblies, Support Frame and Hardware, without Vent Present	1	1
26	O	1104802	Decal, Push/Drive	1	2
27		1104693-NLA	NLA - Cam - Right	1	1
27		1104694-NLA	NLA - Cam - Left	1	1
28		1095489	Decal, Invacare 3-D Logo (2-1/2" L)	1	1
29		1104692-NLA	NLA - Cover, Battery Retainer	1	1
30		1105557-NLA	NLA - Bracket, Battery Support, Black	1	1
31		1104696-NLA	NLA - Bushing, Top	1	2
32		1075176	Screw, Slotted Hex Washer Head Tap (#10-16 x 1-1/2")	1	2
33		1028755	Screw, Phillips Pan Head (#10-32 x 5/8")	1	2
34	R	1023631-NLA	NLA - Washer, Plain (3/16 x 1/2 x 1/16")	1	2
35	D	1104871	Hardware, Retainer	1	1
36	E	1104701	Retainer Assembly, without Vent Present	1	1
	F,K	1089385	Fuse, MIDI (Non-G/B & G/B) (80 AMP)	1	2
	F	1104849-NLA	NLA - Service Manual, Storm	1	1

Battery Boxes & Support Frame

Group 24 Batteries

NOTE: [Before 10/9/06: Group 24 battery boxes were standard on Arrow, Ranger X (U300) and Torque SP (301-350TQHD) models. Group 24 battery boxes are optional on Torque SP (250TQ) and (251-300TQ) models.]

[NOTE: After 10/8/06: Group 24 battery boxes are standard on Arrow and Ranger X and optional on Torque SP & (Torque SE introduced 11/15/06) & (Torque 3 introduced 12/19/07)]

NOTE: A - Includes items 2 and 3. Used with all 4-pole motors, GB non-heavy duty and [GB heavy duty TTHD motors before 1/26/04 (3/15/04 for VA Government orders)]
B - Includes items 10 and 20
C - Includes items 10 and 11
D - Includes items 31-34
E - Includes items 27-34
F - Not Shown
G - Includes items 1 and 21-24. Used with all 4-pole motors, GB non-heavy duty and [GB heavy duty TTHD motors before 1/26/04 (3/15/04 for VA Government orders)]
H - Includes items 1, 22 and 24. Used with all 4-pole motors, GB non-heavy duty and [GB heavy duty TTHD motors before 1/26/04 (3/15/04 for VA Government orders)]
I - Used with all 4-pole motors, GB non-heavy duty and [GB heavy duty TTHD motors before 1/26/04 (3/15/04 for VA Government orders)]
J - Used with GB heavy duty TTHD motors after 1/25/04 only (3/14/04 for VA Government orders)
K - Battery box lids made after 1/25/04 (3/14/04 for VA Government orders) use a non-replaceable 125 Amp. fuse. A new battery box lid must be ordered when the 125 Amp. fuse is required.
L - Includes items 1 and 21-24. Used with GB heavy duty TTHD motors after 1/25/04 only (3/14/04 for VA Government orders). The battery box lids contain the 125 Amp. non-replaceable fuse
M - Includes items 1, 22 and 24. Used with GB heavy duty TTHD motors after 1/25/04 only (3/14/04 for VA Government orders). The battery box lids contain the 125 Amp. non-replaceable fuse
N - Used with 4-Pole motors only with Formula CG Elevate System
O - Decal not used when GB Heavy Duty Motors are used
P - Used with GB Heavy Duty TTHD motors with Formula CG Elevate System
Q - Retainer Bar used when Vent Tray is present
R - Part #1023631 is no longer available as a service part individually. See item 35 and order part #1104871 as a replacement.

NOTE: Items 25, 36, service manual part number 1104849 and new wire harness for Group 24 batteries must be ordered when upgrading from 22NF batteries to Group 24 Batteries.