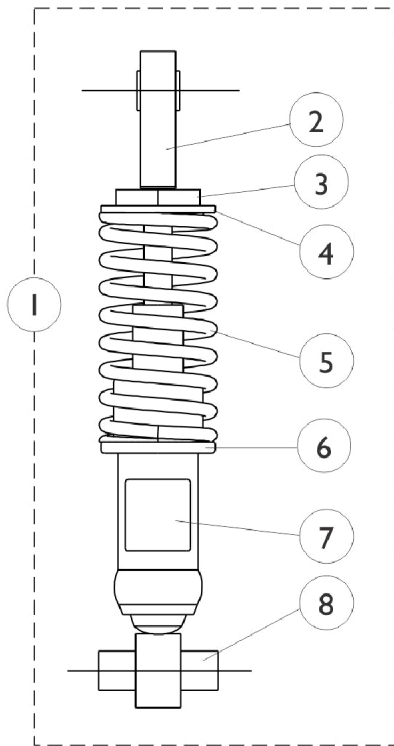
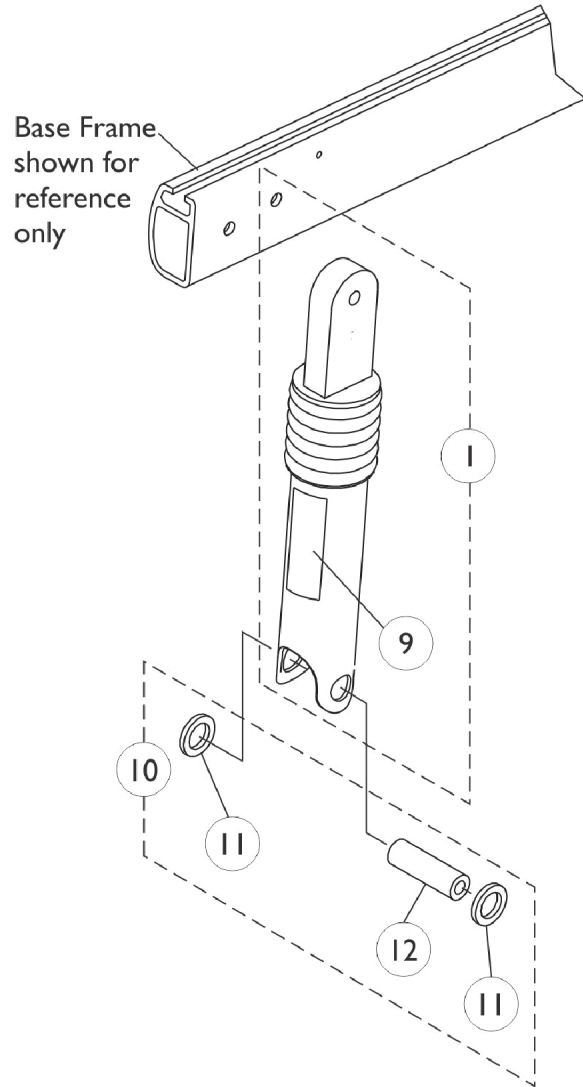


# Shock Absorbers



**Standard with Arrow & (RX After 10/8/06)**  
**and**  
**Optional with**  
**Torque SP, Torque SE, Torque 3**  
**And (RX Before 10/9/06)**



**Standard with**  
**Torque SP, Torque SE, Torque 3**  
**And (RX Before 10/9/06)**

## Shock Absorbers

Item Number	Note	Part Number	Description	Quantity Per	
				Package	Assembly
1	A,C,E	1104420	Shock Assembly, Non-Heavy Duty	1	1
1	A,D,E	1104421	Shock Assembly, Heavy Duty	1	1
1	G	1104817	Shock Assembly w/ Rubber Element	1	1
2		1041431	Shock Eyelet Assembly	1	1
3		1054481-NLA	NLA - Retainer, Shock Spring, Upper	1	1
4		1104415-NLA	NLA - Retainer, Shock Spring, Upper	1	1
5		1104413-NLA	NLA - Spring, Yellow, Non-Heavy Duty	1	1
5		1104414-NLA	NLA - Spring, Yellow, Heavy Duty	1	1
6		1104416-NLA	NLA - Retainer, Shock Spring, Lower	1	1
7		1104800-NLA	NLA - Decal, SD 300, Non-Heavy Duty	1	1
7		1104801-NLA	NLA - Decal, HD 400 Heavy Duty	1	1
8	F	1039659-NLA	NLA - Absorber, Shock	1	1
8		1039660	Shock Assembly, (RWD) Heavy Duty	1	1
9		1104812	Decal, SD 300 - Large	1	1
10	B	1104827	Hardware, Rubber Element Shock	2	1
11		1104445-NLA	NLA - Washer, Nylon (5/8 x 1 x 1/8")	1	4
12		1104847	Spacer (5/16 x 5/8 x 2")	1	2

NOTE: A - Includes items 2 - 8.  
 B - Includes items 11-12 (Pair).  
 C - (300 Lb. Limit For Arrow), (300 Lb. Limit For RX Before 10/9/06) (300 Lb. Limit For Torque SE, Torque 3 and Torque SP)  
 D - (400 Lb. Limit For Arrow), (400 Lb. Limit For RX After 10/8/06) and (400 Lb. Limit For Torque SP Before 10/9/06).  
 E - Standard w/ Arrow & (RX After 10/8/06) and Optional w/ Torque SP, Torque SE, Torque 3 and (RX Before 10/9/06).  
 Weight limit remains 300 Lb.  
 F - No longer available, use Part Number 1039660 as its replacement.  
 G - Shock Assembly Includes Rubber Element and item #7 Decal part #1104800 also. Standard w/ Torque SP, Torque SE, Torque 3 and (RX Before 10/9/06)

NOTE: See shock suspension mounting hardware page to find shock absorber attaching hardware.