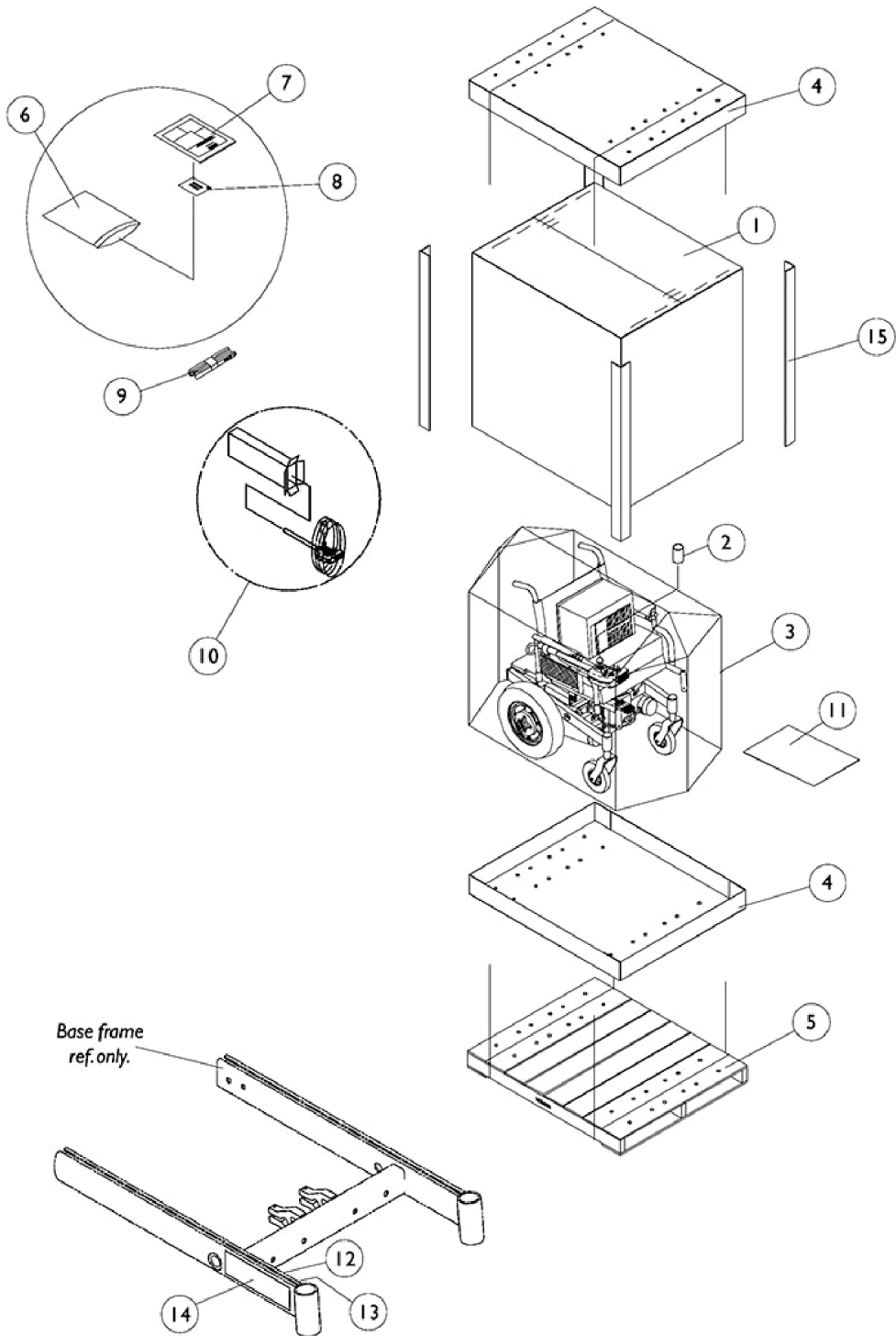


# Packaging, Literature and Decals



## Packaging, Literature and Decals

Item Number	Note	Part Number	Description	Quantity Per	
				Package	Assembly
1	A	1030364	Carton, Cover	1	1
1	B	1031682	Carton, Cover	1	1
1	C	1036028	Carton, Cover	1	1
1	D	1030365	Carton, Cover	1	1
2		1043198-NLA	NLA - Tube, Paper	1	1
3		1015609-NLA	NLA - Bag, Poly (28" W x 44" D x 80" H)	1	1
4	H	1030362	Carton, Tray	1	2
4	I	1036027	Carton, Tray	1	2
5	K	See Note	See Footnote	1	1
6		1021149-NLA	NLA - Bag, Poly Zip-Lip (13" L x 9" W)	1	1
7	N	1134791-NLA	NLA - Owner's Manual, 3G Storm with MKIV Electronics	1	1
7	N	1143151-NLA	NLA - Owner's Manual, 3G Storm Base with MK6i Electronics	1	1
7	N	1143192-NLA	NLA - Owner's Manual, ADJASBA Seat with MK6i Electronics	1	1
7	N	1143195-NLA	NLA - Owner's Manual, Van Seat's with MK6i Electronics	1	1
8		00077X031-NLA	NLA - Warranty Card	1	1
9		50000X121	Strap, Battery Lift	1	1
10	P	1012001-NLA	NLA - Carton, Joystick	1	1
10		40131X011-NLA	NLA - Carton, Front Riggings	1	1
11		40131X161	Insert, Plain Pad	1	1
12		1035900	Decal, Transportation	1	1
13		1119281-NLA	NLA - Plate, Name, Patent Numbers	1	1
14		1133255	Decal, Torque SP, Yellow	1	2
14	L	1144627-NLA	NLA - Decal, Torque SP, Black	1	2
14		1146486-NLA	NLA - Decal, Torque SE, Yellow	1	2
14	L	1146487-NLA	NLA - Decal, Torque SE, Black	1	2
14		1151551	Decal, Torque 3, Yellow	1	2
14	L	1151552	Decal, Torque 3, Black	1	2
14		1133253-NLA	NLA - Decal, Yellow - Arrow	1	2
14	L	1144625-NLA	NLA - Decal, Black - Arrow Storm	1	2
14		1133254-NLA	NLA - Decal, Yellow - Ranger X	1	2
14	L	1144626-NLA	NLA - Decal, Black - Ranger X	1	2
15	A	1115174	Carton, Corner Reinforcement	1	2
15	B	1129589-NLA	Carton, Corner Reinforcement	1	2
15	C	1129590-NLA	Carton, Corner Reinforcement	1	2
	F,G	1104820-NLA	NLA - Package, Decal, Yellow - Torque SP	1	1
	F,G,L	1144630-NLA	NLA - Package, Decal, Black - Torque SP	1	1
	F,G	1146488-NLA	NLA - Package, Decal, Yellow - Torque SE	1	1
	F,G,L	1146489-NLA	NLA - Package, Decal, Black - Torque SE	1	1
	F,G	1151553-NLA	NLA - Package, Decal, Yellow - Torque 3	1	1
	F,G,L	1151554-NLA	NLA - Package, Decal, Black - Torque 3	1	1
	F,G	1104818-NLA	NLA - Package, Decal, Yellow - Arrow	1	1
	F,G,L	1144628-NLA	NLA - Package, Decal, Black - Arrow	1	1
	F,G	1104819-NLA	NLA - Package, Decal, Yellow - Ranger X	1	1

## Packaging, Literature and Decals

Item Number	Note	Part Number	Description	Quantity Per	
				Package	Assembly
	F,G,L	1144629-NLA	NLA - Package, Decal, Black - Ranger X	1	1
	E,G	1079515-NLA	NLA - Kit, T-Nut with Instruction Sheet	1	1
	G,J	1104863	Package, Cover, Frame Rail - Right/Left	6	1
	G,M	1083199-NLA	NLA - Label, Hook Tie-Down	1	4
<p>NOTE: A - 12" W - 20" W Non-Recliner, Extended and H.B. Captain Seats 18" W            B - 16" W - 20" W Recliner and 16" W - 20" W Non-Recliner w/Medium/Tall Seat-to-Floor            C - 21" W - 24" W Non-Recliner and Recliner, H.B. Captain Seat 22" W            D - Base only and all A.S.B.A. seat only models            E - Used with Storm base only            F - Decal package includes 2 ea. model, 1 ea. transportation and 1 ea patent numbers decals.            G - Not Shown            H - 12" W - 20" W Chairs and Base Only            I - 21" W - 24" W Chairs            J - 3 each Right and Left            K - Skid not supplied            L - Black Decal is used whenever frame color 30P, Sunny Yellow is ordered.            M - For TRRO/TRBKTS wheelchairs only            N - Item is no longer available from the Invacare Service Parts Department. Refer to the Invacare Website under "Product Literature Search". Enter the part number in the "Keywords" field and download a free PDF version copy.            P - Order part #40131X011 to use as a replacement Joystick Carton also.</p>					
<p>NOTE: When adjusting or replacing parts, please refer to your Owner's Manual for assistance.</p>					