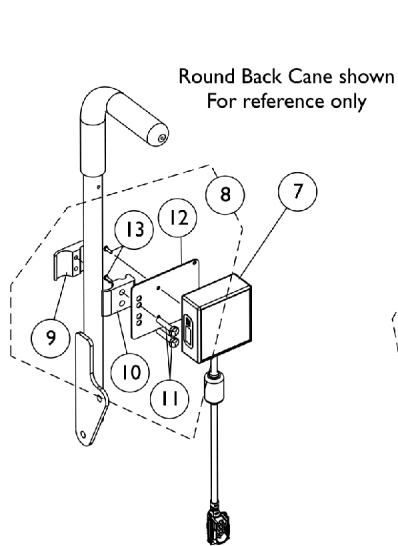
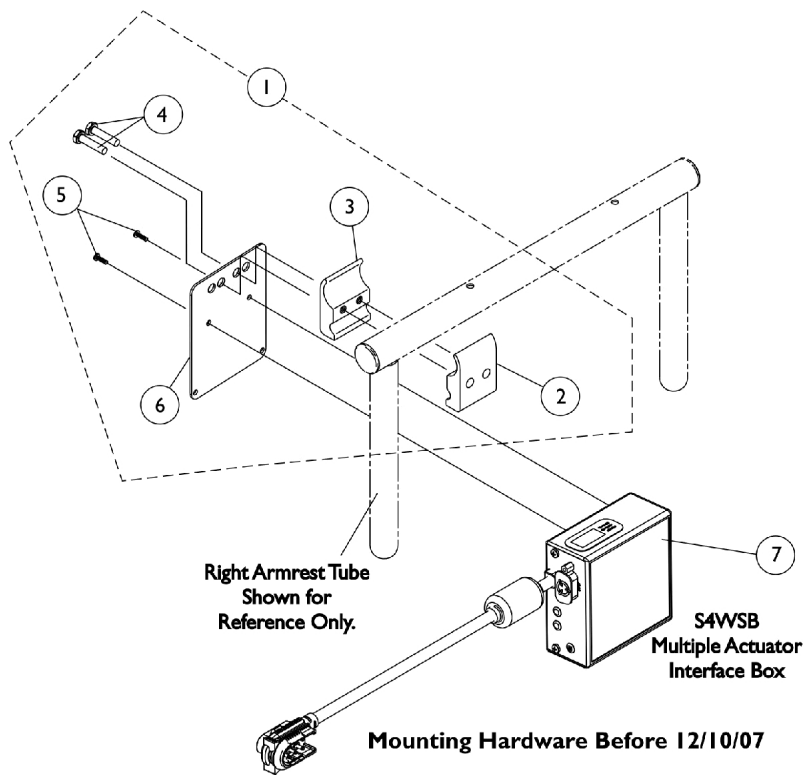
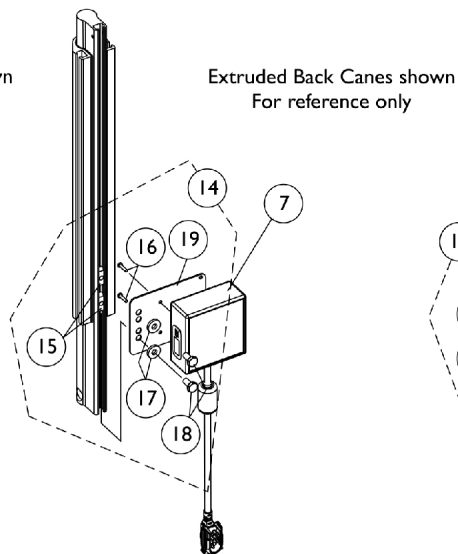


Multiple Actuator Interface Box (S4WSB) and Mounting Hardware

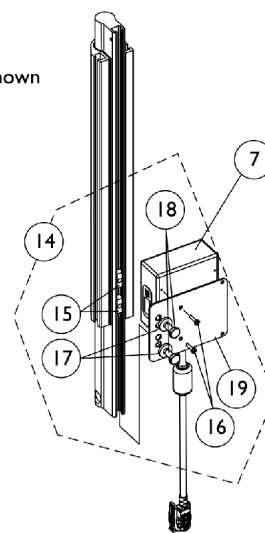
Allows multiple actuator operation through the driver control.



Mounting Hardware
For Round Back Canes
After 12/9/07



Mounting Hardware For
Conventional Seating with
Extruded Back Canes
After 12/9/07



Mounting Hardware For
Contoura Seating with
Extruded Back Canes
After 12/9/07

Multiple Actuator Interface Box (S4WSB) and Mounting Hardware

Allows multiple actuator operation through the driver control.

Item Number	Note	Part Number	Description	Quantity Per	
				Package	Assembly
1	A,A1,B	1049593	Kit, SNP/DI, MK5 SAC, 4WSB, S4WSB, GTAM, AUX12M6, AUX34M6 Mtg. Hdwr.	1	1
2			NLA - Half Clamp, Threaded Holes	1	1
3			Half Clamp, Non-Threaded Holes	1	1
4			NLA - Screw, Hex Head (1/4-20 x 1-1/8")	1	2
5			Screw, Phillips Pan Head (#4-40 x 3/8")	1	2
6			Plate, Mounting	1	1
7		1136903	Box, Multiple Actuator Interface (S4WSB) (63" L)	1	1
7		1136903E-NLA	NLA - WARR RPLMT - Box, Multiple Actuator Interface (S4WSB) (63" L)	1	1
8	C	1142226	Kit, SNP/DI, 4WSB, S4WSB, GTAM, AUX12M6, AUX34M6, R/L Module Mounting Hardware For Round Back Canes	1	1
9			NLA - Half Clamp, Threaded Holes	1	1
10			Half Clamp, Non-Threaded Holes	1	1
11			NLA - Screw, Hex Head (1/4-20 x 1-1/8")	1	2
12			Plate, Mounting	1	1
13			Screw, Phillips Pan Head (#4-40 x 3/8")	1	2
			Tie Wrap (5-5/8" L)	1	5
14	D	1142227	Kit, SNP/DI, 4WSB, S4WSB, GTAM, AUX12M6, AUX34M6 Mounting Hardware For Extruded Back Canes	1	1
15			T-Nut (1/4-20)	1	2
16			Screw, Phillips Pan Head (#4-40 x 1/2")	1	2
17			Washer (1/4 x 5/8 x 3/32")	1	2
18			NLA - Screw, Hex Head (1/4-20 x 1-1/2")	1	2
19			Plate, Mounting	1	1
			Tie Wrap (5-5/8" L)	1	5
	E	1095503-NLA	NLA - Package, Tie Wrap (5-5/8" L)	10	1

NOTE: A - Includes items 2-6. As of 5/22/07 the Mounting Plate holes and the orientation of the Hardware was revised to attach the electronics closer to the chair. The Mounting Hardware Kit is backward compatible.
A1 - The mounting plate was revised again 12/10/07 by making the plate longer to accommodate relocation of the electronics to the back canes. The mounting plate is backward compatible for using under the armrest tube.
B - Before 12/10/07
C - After 12/9/07 and includes items 9-13 and (Cable Ties not shown)
D - After 12/9/07 and includes items 15-19 and (Cable Ties not shown)
E - Not Shown