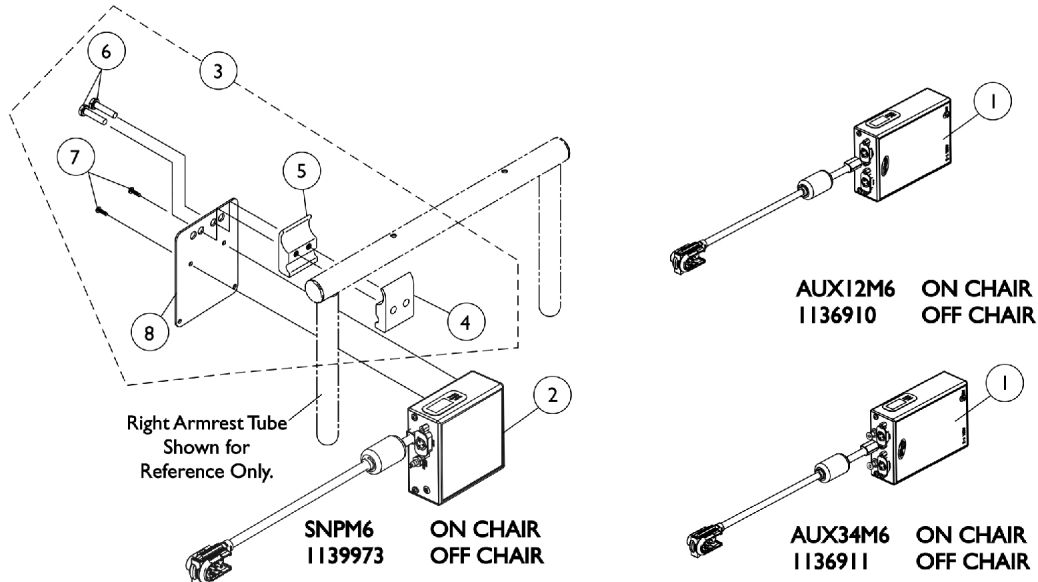
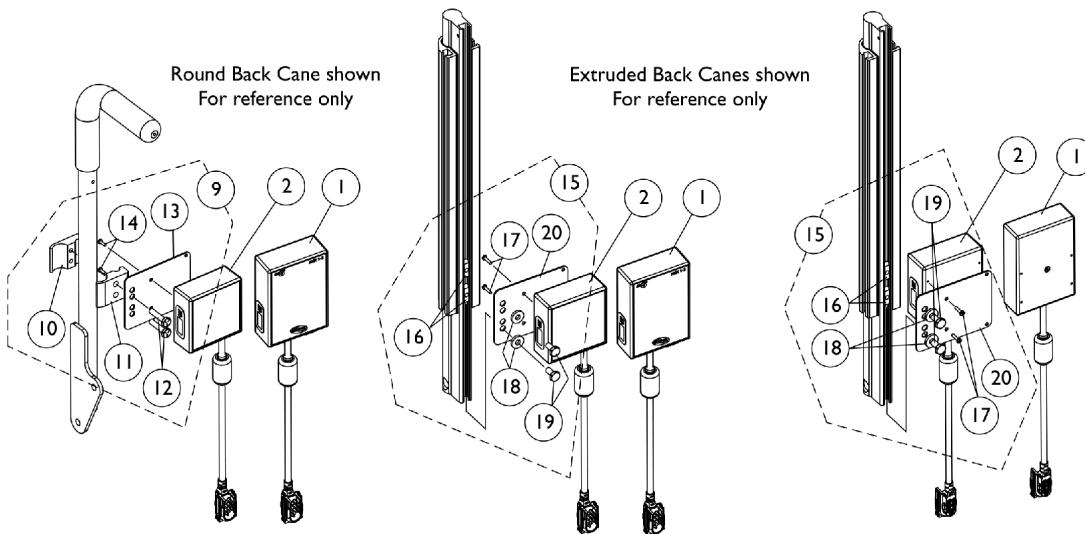


Sip-N-Puff / Digital Interface SNPM6 and AUX12M6 and AUX34M6

NOTE: Currently the Formula (CGT) on Pronto M51 base still uses the mounting hardware that attaches to the Arm Tube.



Mounting Hardware Before 12/10/07



**Mounting Hardware
For Round Back Canes
After 12/9/07**

**Mounting Hardware For
Conventional Seating with
Extruded Back Canes
After 12/9/07**

**Mounting Hardware For
Contoura Seating with
Extruded Back Canes
After 12/9/07**

Sip-N-Puff / Digital Interface SNPM6 and AUX12M6 and AUX34M6

NOTE: Currently the Formula (CGT) on Pronto M51 base still uses the mounting hardware that attaches to the Arm Tube.

Item Number	Note	Part Number	Description	Quantity Per	
				Package	Assembly
1		1136910	Module, Communication, AUX12M6 (63" L)	1	1
1		1136911	Module, Communication, AUX34M6 (63" L)	1	1
2		1139973	Sip-N-Puff w/ Digital Interface - SNPM6 (63" L)	1	1
3	B,A,A2, A1	1049593	Kit, SNP/DI, MK5 SAC, 4WSB, S4WSB, GTAM, AUX12M6, AUX34M6 Mtg. Hdw.	1	1
4			NLA - Half Clamp, Threaded Holes	1	1
5			Half Clamp, Non-Threaded Holes	1	1
6			NLA - Screw, Hex Head (1/4-20 x 1-1/8")	1	2
7			Screw, Phillips Pan Head (#4-40 x 3/8")	1	2
8			Plate, Mounting	1	1
9	C	1142226	Kit, SNP/DI, 4WSB, S4WSB, GTAM, AUX12M6, AUX34M6, R/L Module Mounting Hardware For Round Back Canes	1	1
10			NLA - Half Clamp, Threaded Holes	1	1
11			Half Clamp, Non-Threaded Holes	1	1
12			NLA - Screw, Hex Head (1/4-20 x 1-1/8")	1	2
13			Plate, Mounting	1	1
14			Screw, Phillips Pan Head (#4-40 x 3/8")	1	2
			Tie Wrap (5-5/8" L)	1	5
15	D	1142227	Kit, SNP/DI, 4WSB, S4WSB, GTAM, AUX12M6, AUX34M6 Mounting Hardware For Extruded Back Canes	1	1
16			T-Nut (1/4-20)	1	2
17			Screw, Phillips Pan Head (#4-40 x 1/2")	1	2
18			Washer (1/4 x 5/8 x 3/32")	1	2
19			NLA - Screw, Hex Head (1/4-20 x 1-1/2")	1	2
20			Plate, Mounting	1	1
			Tie Wrap (5-5/8" L)	1	5
	E	1095503-NLA	NLA - Package, Tie Wrap (5-5/8" L)	10	1

NOTE: A - Includes items 4-8. As of 5/22/07 the mounting plates holes and orientation of the hardware was revised to attach the electronics closer to the chair.
A1 - The mounting plate was revised again 12/10/07 by making the plate longer to accommodate relocation of the electronics to the back canes. The mounting plate is backward compatible for using under the armrest tube.
A2 - When both the SNPM6 & Communication Module is ordered together, the Communication Module will be mounted on the left side of the chair using additional item #3 hardware.
B - Before 12/10/07
C - After 12/9/07 and includes items 10-14 and (Cable Ties not shown)
D - After 12/9/07 and includes items 16-20 and (Cable Ties not shown)
E - Not Shown