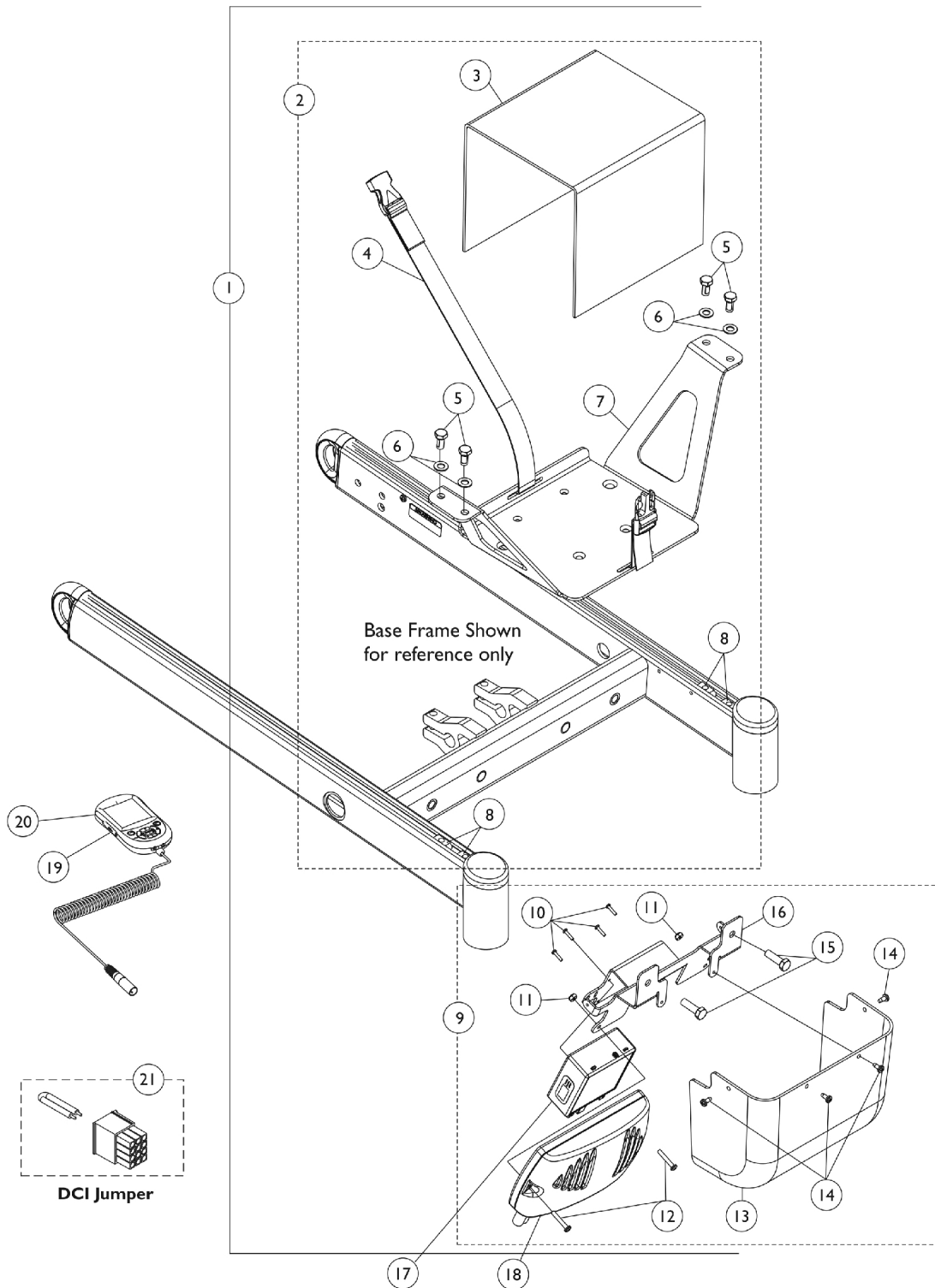


# Controller - Programmer - Shroud Cover - MK6i TRAM w/ Mtg. Hdwr. - 3G Storm w/ 4 Pole Motors & Formula CG w/ Vent

NOTE: After 12/9/07 the TRAM Module was relocated next to the Recline Actuator Conventional Motor for Tilt/Recline & Recline Only systems



# Controller - Programmer - Shroud Cover - MK6i TRAM w/ Mtg. Hdwr. - 3G Storm w/ 4 Pole Motors & Formula CG w/ Vent

**NOTE: After 12/9/07 the TRAM Module was relocated next to the Recline Actuator Conventional Motor for  
Tilt/Recline & Recline Only systems**

| Item Number | Note | Part Number  | Description  | Quantity Per |          |
|-------------|------|--------------|--|--------------|----------|
|             |      |              |  | Package      | Assembly |
| 1           | A    | 1146618-NLA  | NLA - Kit, Vent Battery Tray, MK690 w/ ACC Controller & MK6i TRAM Mtg Hdwr                   | 1            | 1        |
| 3           |      |              | Shroud, Vent Battery   | 1            | 1        |
| 4           |      |              | NLA - Battery Strap Assembly   | 1            | 1        |
| 5           |      |              | Screw, Hex Head w/ Patch (5/16-18 x 5/8")  | 1            | 4        |
| 6           |      |              | Washer, Flat (5/16 x 5/8 x 1/16")  | 1            | 4        |
| 7           |      |              | Tray, Vent Battery   | 1            | 1        |
| 8           |      |              | T-Nut (5/16-18)  | 1            | 4        |
| 10          |      |              | Screw, Phillips Pan Head (#4-40 x 1/2")  | 1            | 4        |
| 11          |      |              | Locknut (#8-32)  | 1            | 2        |
| 12          |      |              | Screw, Phillips Pan Head (#8-32 x 1")  | 1            | 2        |
| 13          |      |              | Shroud, Controller Cover (for Vent Option)   | 1            | 1        |
| 14          |      |              | Screw, Phillips Pan Head Tap (#8-32 x 3/8")  | 1            | 4        |
| 15          |      |              | Screw, Hex Head w/ Patch (5/16-18 x 1")  | 1            | 2        |
| 16          |      |              | Bracket, Mounting, Black (For Vent Option)   | 1            | 1        |
| 2           | B    | 1148656-NLA  | NLA - Kit, Vent Battery Tray w/ Hardware   | 1            | 1        |
| 3           |      |              | Shroud, Vent Battery   | 1            | 1        |
| 4           |      |              | NLA - Battery Strap Assembly   | 1            | 1        |
| 5           |      |              | Screw, Hex Head w/ Patch (5/16-18 x 5/8")  | 1            | 4        |
| 6           |      |              | Washer, Flat (5/16 x 5/8 x 1/16")  | 1            | 4        |
| 7           |      |              | Tray, Vent Battery   | 1            | 1        |
| 8           |      |              | T-Nut (5/16-18)  | 1            | 4        |
| 9           | C    | 1148655-NLA  | NLA - Kit, MK690 w/ ACC Controller/TRAM Mounting Bracket, Shroud Cover and Mounting Hardware | 1            | 1        |
| 10          |      |              | Screw, Phillips Pan Head (#4-40 x 1/2")  | 1            | 4        |
| 11          |      |              | Locknut (#8-32)  | 1            | 2        |
| 12          |      |              | Screw, Phillips Pan Head (#8-32 x 1")  | 1            | 2        |
| 13          |      |              | Shroud, Controller Cover (for Vent Option)   | 1            | 1        |
| 14          |      |              | Screw, Phillips Pan Head Tap (#8-32 x 3/8")  | 1            | 4        |
| 15          |      |              | Screw, Hex Head w/ Patch (5/16-18 x 1")  | 1            | 2        |
| 16          |      |              | Bracket, Mounting, Black (For Vent Option)   | 1            | 1        |
| 17          |      | 1140098      | Module, Tilt Recline Actuator (TRAM) - MK6i (36" L)  | 1            | 1        |
| 17          |      | 1140098E-NLA | NLA - WARR RPLMT - Module, Tilt Recline Actuator (TRAM) - MK6i                               | 1            | 1        |
| 18          |      | 1136898      | Controller, MK690 w/ ACC   | 1            | 1        |
| 19          | F    | 1139985      | Programmer, MK6i Remote  | 1            | 1        |
| 19          | F    | 1142215      | Kit, MK6i Remote Programmer w/ SD Professional Card & Card Holder (1813M6)                   | 1            | 1        |
| 20          |      | 1139997      | Cover, SD Card Slot  | 1            | 1        |
| 21          | D    | 1140125-NLA  | NLA - Jumper, DCI  | 1            | 1        |
|             | E    | 1101400      | Harness, ELRPW Power Legrest - Right   | 1            | 1        |

# **Controller - Programmer - Shroud Cover - MK6i TRAM w/ Mtg. Hdwr. - 3G Storm w/ 4 Pole Motors & Formula CG w/ Vent**

**NOTE: After 12/9/07 the TRAM Module was relocated next to the Recline Actuator Conventional Motor for  
Tilt/Recline & Recline Only systems**

NOTE: A - Includes items 3-8 and 10-16  
B - Includes items 3-8  
C - Includes items 10-16  
D - A DCI Jumper is used when an MPJ+ Joystick is used  
E - Not Shown. ELRPW Power Legrest Harness part #1101400 is used to connect between the TRAM Module and the Tilt Actuator as well  
F - The MK6i Programmer Manual (1141471) is not included and is strongly recommended the guide be ordered or downloaded from Literature Fulfillment.