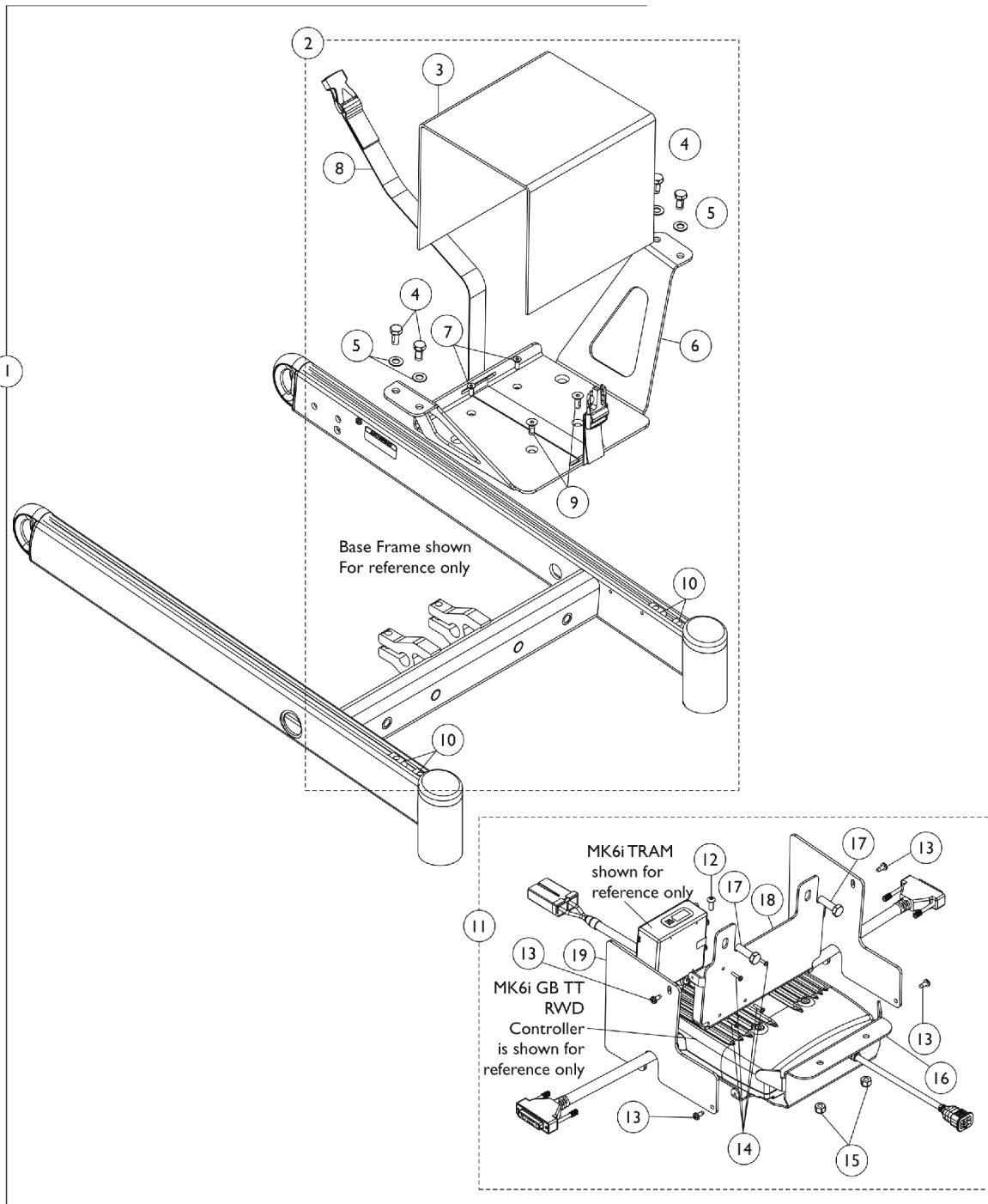


Vent Battery Tray, MK6i GB TT RWD Controller & MK6i TRAM Mounting Hardware

3G Storm w/ GB TT Motors

NOTE: After 12/9/07 the TRAM Module was relocated next to the Recline Actuator Conventional Motor for Tilt/Recline & Recline Only systems. When a Vent Tray Assembly is ordered for the first time in the field for 3G Storm Series, the chair must be returned to Invacare for installation. Call the Technical Service Department for assistance at 1-800-832-4707. Vent Tray is excluded from 3G Storm Series wheelchairs with TRRO option.



Vent Battery Tray, MK6i GB TT RWD Controller & MK6i TRAM Mounting Hardware 3G Storm w/ GB TT Motors

NOTE: After 12/9/07 the TRAM Module was relocated next to the Recline Actuator Conventional Motor for Tilt/Recline & Recline Only systems. When a Vent Tray Assembly is ordered for the first time in the field for 3G Storm Series, the chair must be returned to Invacare for installation. Call the Technical Service Department for assistance at 1-800-832-4707. Vent Tray is excluded from 3G Storm Series wheelchairs with TRRO option.

Item Number	Note	Part Number	Description	Quantity Per	
				Package	Assembly
1	A	1146625-NLA	NLA - Kit, Vent Battery Tray MK6i GB TT RWD Controller Mounting Hardware	1	1
3			Shroud, Vent Battery	1	1
4			Screw, Hex Head w/ Patch (5/16-18 x 5/8")	1	4
5			Washer, Flat (5/16 x 5/8 x 1/16")	1	4
6			Tray, Vent Battery	1	1
7			NLA - Screw, Socket Flat Head (#10-32 x 1/2")	1	2
8			NLA - Battery Strap Assembly	1	1
9			Screw, Socket Flat Head w/ Patch (1/4-20 x 5/8")	1	2
10			T-Nut (5/16-18)	1	4
12			NLA - Screw, Socket Button Head (#10-32 x 1/2")	1	1
13			Screw, Phillips Pan Head Tap (#8-32 x 3/8")	1	4
14			Screw, Phillips Pan Head (#4-40 x 1/2")	1	4
15			Locknut (1/4-20)	1	2
16			Bracket, MK6i GB TT RWD Controller Mounting, Black (for Vent Option)	1	1
17			Screw, Hex Head w/ Patch (5/16-18 x 1")	1	2
18			Bracket, MK6i GB TT RWD TRAM Mounting, Black (for Vent Option)	1	1
19			Shroud, MK6i GB TT RWD Controller/TRAM, Black (Vent Options)	1	2
2	B	1148657-NLA	NLA - Kit, Vent Battery Tray w/ Hardware - MK6i GB TT RWD	1	1
3			Shroud, Vent Battery	1	1
4			Screw, Hex Head w/ Patch (5/16-18 x 5/8")	1	4
5			Washer, Flat (5/16 x 5/8 x 1/16")	1	4
6			Tray, Vent Battery	1	1
7			NLA - Screw, Socket Flat Head (#10-32 x 1/2")	1	2
8			NLA - Battery Strap Assembly	1	1
9			Screw, Socket Flat Head w/ Patch (1/4-20 x 5/8")	1	2
10			T-Nut (5/16-18)	1	4
11	C	1148658-NLA	NLA - Kit, MK6i GB TT RWD Controller/TRAM Mounting Bracket, Shroud Covers and Mounting Hardware	1	1
12			NLA - Screw, Socket Button Head (#10-32 x 1/2")	1	1
13			Screw, Phillips Pan Head Tap (#8-32 x 3/8")	1	4
14			Screw, Phillips Pan Head (#4-40 x 1/2")	1	4
15			Locknut (1/4-20)	1	2
16			Bracket, MK6i GB TT RWD Controller Mounting, Black (for Vent Option)	1	1
17			Screw, Hex Head w/ Patch (5/16-18 x 1")	1	2

Vent Battery Tray, MK6i GB TT RWD Controller & MK6i TRAM Mounting Hardware 3G Storm w/ GB TT Motors

NOTE: After 12/9/07 the TRAM Module was relocated next to the Recline Actuator Conventional Motor for Tilt/Recline & Recline Only systems. When a Vent Tray Assembly is ordered for the first time in the field for 3G Storm Series, the chair must be returned to Invacare for installation. Call the Technical Service Department for assistance at 1-800-832-4707. Vent Tray is excluded from 3G Storm Series wheelchairs with TRRO option.

Item Number	Note	Part Number	Description	Quantity Per	
				Package	Assembly
18			Bracket, MK6i GB TT RWD TRAM Mounting, Black (for Vent Option)	1	1
19			Shroud, MK6i GB TT RWD Controller/TRAM, Black (Vent Options)	1	2
NOTE: A - Includes items 3-10 and 12-19 B - Includes items 3-10 C - Includes items 12-19					