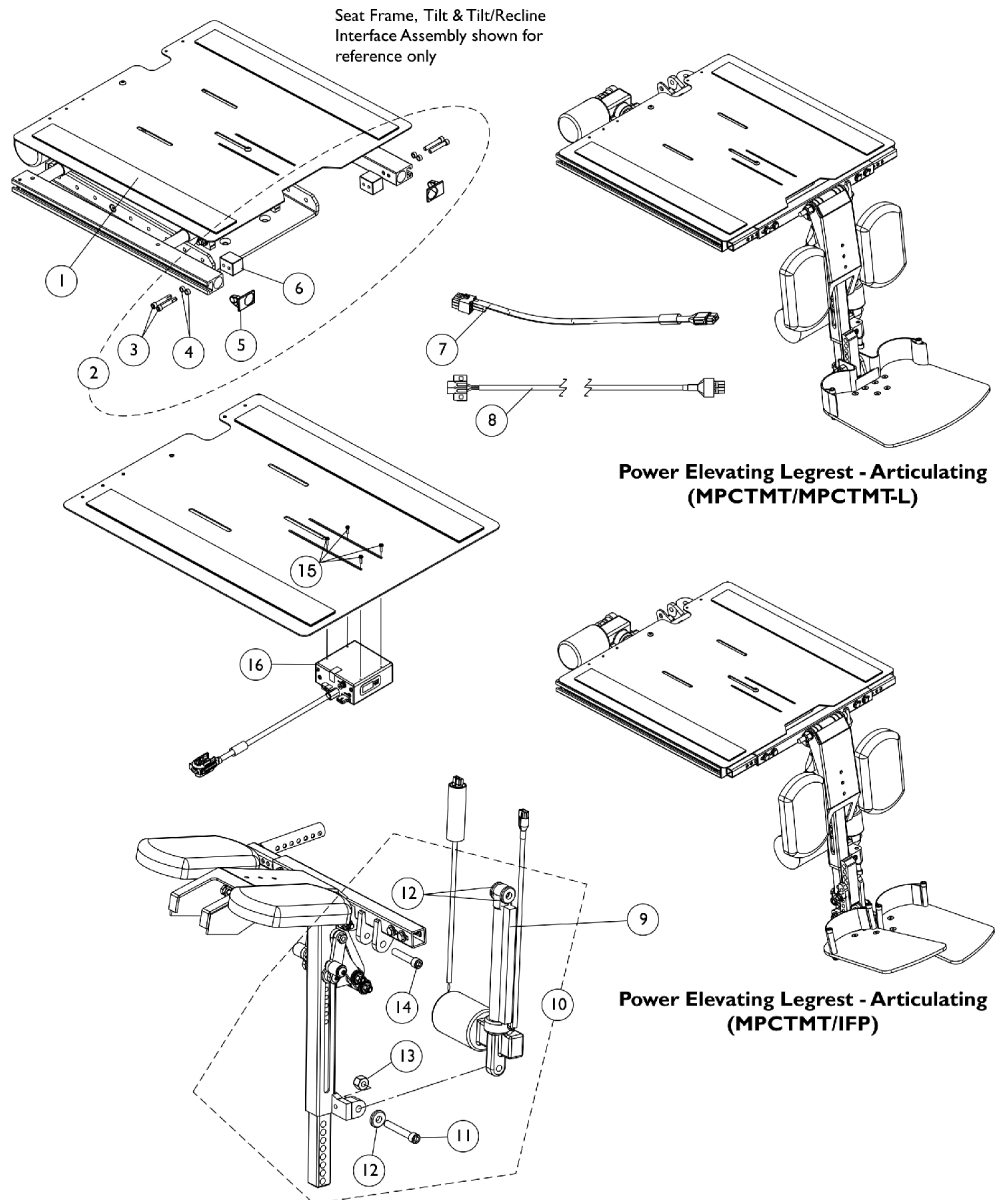


Power Elevating Legrest - Articulating (MPCTMT/MPCTMT-L)

For TDX SP/SP-GT/SR (Before 01/01/09)

NOTE: A complete set of Power Elevating Legrest-Articulating must be ordered thru Invacare's Equipment Configurator. Request Customer Service to review their reference document "Parts Pal" first before ordering.



NOTE: The Smart Actuator Motor and Mounting Hardware called out is available thru Invacare Corporation only. For all other individual replacement parts for the Power Elevating Legrest call Motion Concepts at 1-888-433-6818

Power Elevating Legrest - Articulating (MPCTMT/MPCTMT-L)

For TDX SP/SP-GT/SR (Before 01/01/09)

NOTE: A complete set of Power Elevating Legrest-Articulating must be ordered thru Invacare's Equipment Configurator. Request Customer Service to review their reference document "Parts Pal" first before ordering.

Item Number	Note	Part Number	Description	Quantity Per	
				Package	Assembly
1	A,B	1143748	Pan, Seat, with Hook and Loop Fasteners (16 - 20" W x 16 - 19" D)	1	1
1	A,B	1143789	Pan, Seat, with Hook and Loop Fasteners (16 - 20" W x 19 - 22" D)	1	1
1	A,B	1143790	Pan, Seat with Hook and Loop Fasteners (20 - 24" W x 16 - 19" D)	1	1
1	A,B	1143791	Pan, Seat, with Hook and Loop Fasteners (20 - 24" W x 19 - 22" D)	1	1
2	B	1147045	Kit, Power Elevating Legrest-Articulating Mtg. Hdw. (MPCTMT/MPCTMT-L)	1	1
3			Screw, Socket Head Cap w/ Patch (1/4-20 x 1-1/2")	1	4
4			NLA - Spacer (1/4 x 3/8 x 3/16")	1	4
5			Cap, End, Side Rail, Black	1	2
6			Block, Threaded	1	2
7	E	1148708	Harness, Power Elevating Legrest-Articulating (MPCTMT/MPCTMT-L)	1	1
8	E	1101401	Harness, ELRPW Power Legrest - Left	1	1
9	G	1142235-NLA	NLA - Motor, MPCTMT Smart Actuator	1	1
10	C	1153719-NLA	NLA - Kit, MPCTMT Actuator Motor Mounting Hardware	1	1
11			Screw, Socket Head (3/8-16 x 2-1/2")	1	1
12			Spacer (3/8 x 1 x 1/2")	1	3
13			NLA - Locknut (3/8-16)	1	1
14			Screw, Socket Head w/ Patch (3/8-16 x 2")	1	1
15		1021742	Screw, Phillips Pan Head (#4-40 x 1/2")	1	4
16	F	1151959	Center Mount Leg Integrated Actuator Module (CMLIAM) for MPCTMT Legrest w/ Smart Actuator (54" L)	1	1
	D,D1	1142951	Rail, Seat Frame (For 12 - 19" D Conventional)	1	1
	D,D1	1142952	Rail, Seat Frame (For 19 - 22" D Conventional)	1	1

NOTE: A - When ordering a complete set of Power Elevating Legrest-Articulating for the first time for chairs manufactured before 3/5/07, a frontal notched out Seat Pan must be ordered separately.
 B - Includes items 3-6
 C - Includes items 11-14. Part # 1153719 Mounting Hardware can be used for both MPCTMT Conventional and Smart Actuator Motors
 D - Not Shown. When a customer is ordering Power Elevating Legrest for the first time and a Contoura Seating System is used, the shorter seat rails used for Conventional Backs must be ordered also.
 D1 - This will prevent the legrest from being positioned to far forward
 E - Items 7 and 8 are used for a MPCTMT Conventional Actuator Motor only. Item #8 is used for both ELRPW and MPCTMT Power Legrest applications.
 F - Item 16 is not used when MPCTMT Legrest are ordered with a MPCTMT Conventional Actuator Motor
 G - Refer to Motion Concepts at 1-888-433-6818 when replacing the MPCTMT Conventional Actuator Motor