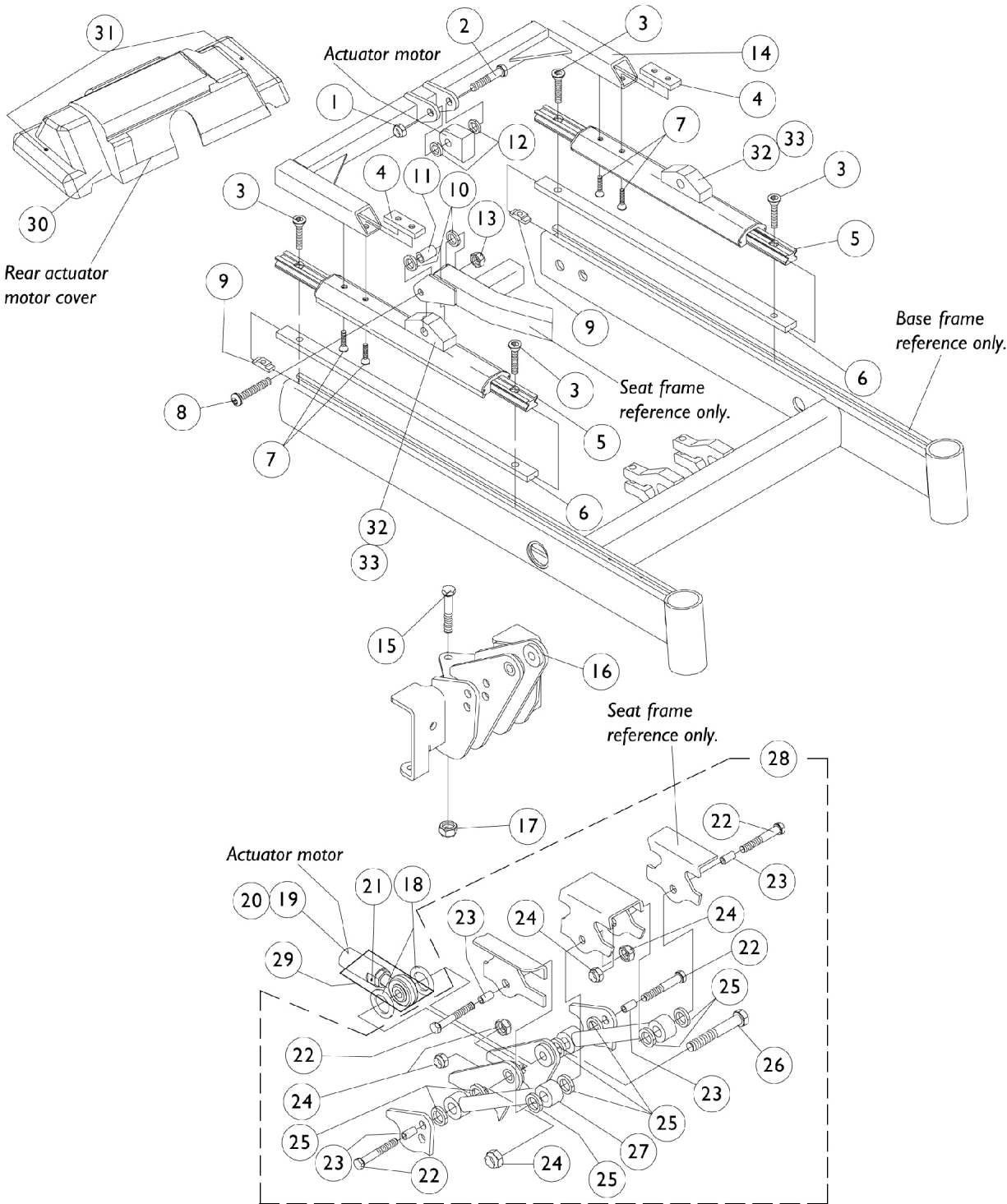


# Seat Frame Attaching Hardware

## 2nd Generation Storm



## Seat Frame Attaching Hardware 2nd Generation Storm

Item Number	Note	Part Number	Description	Quantity Per	
				Package	Assembly
1		0054106-NLA	NLA - Locknut, High Profile (3/8-16)	1	1
2		1106223	Screw, Socket Head (3/8-16 x 2-1/2")	1	1
3		1117326-NLA	NLA - Screw, Socket Head w/ Patch (5/16-18 x 7/8")	1	6
4		1068139-NLA	NLA - Clamping Bar, Actuator Frame	1	2
5	A,B	1087922-NLA	NLA - Guidance Assembly - Right or Left	1	2
6		1068114-NLA	NLA - Shim, Seat Slide, Lower Extrusion	1	2
7		0195606-NLA	NLA - Screw, Socket, Cap, Flat Head (1/4-20 x 3/4")	1	4
8		0055506-NLA	NLA - Screw, Button Head, Socket (5/16-18 x 2")	1	2
9		1069724	T-Nut (5/16-18)	1	6
10		0055800-NLA	NLA - Washer, Nylon (7/16 x 3/4 x 3/32")	1	4
11		1068116-NLA	NLA - Bushing (5/16 x 7/16 x 1")	1	2
12		0053900-NLA	NLA - Washer, Nylon (3/8 x 13/16 x 1/16")	1	2
13		0054906	Locknut, High Profile (5/16-18)	1	2
14		1068143-NLA	NLA - Frame, Actuator, 2G Storm, Black	1	1
15		0139806-NLA	NLA - Screw, Hex Head (5/16-18 x 3")	1	1
16		1068144-NLA	NLA - Link, Standard, Black - Front (15 - 16" D)	1	1
16		1068145-NLA	NLA - Link, 1" Rearset - Front (17 - 18" D)	1	1
16		1068146-NLA	NLA - Link, 2" Rearset - Front (19 - 20" D)	1	1
17		0054906	Locknut, High Profile (5/16-18)	1	1
18		0056000-NLA	NLA - O-Ring (1/2 x 7/8 x 3/16")	1	2
19	F	1154068-NLA	NLA - Kit, Actuator Motor, 6-1/2" Stroke Actuator Motor Assembly (6-1/2" Stroke)	1 1	1 1
21			NLA - Pin, Roll (1/8" x 7/8") Instruction Sheet, PTO Actuator Installation	1 1	1 1
20	C	1077780-NLA	NLA - Kit, Actuator Motor, 6-1/2" Stroke w/ Mounting Hardware Actuator Motor Assembly (6-1/2" Stroke)	1 1	1 1
1			NLA - Locknut, High Profile (3/8-16)	1	1
2			Screw, Socket Head (3/8-16 x 2-1/2")	1	1
11			NLA - Washer, Nylon (3/8 x 13/16 x 1/16")	1	2
18			NLA - O-Ring (1/2 x 7/8 x 3/16")	1	2
21			NLA - Pin, Roll (1/8" x 7/8") Instruction Sheet, PTO Actuator Installation	1 1	1 1
21		1028848-NLA	NLA - Pin, Roll (1/8" x 7/8")	1	1
22		0258306-NLA	NLA - Screw, Hex Head (3/8-16 x 1-3/4")	1	4
23		0120300	Bushing (3/8 x 1/2 x 7/8")	1	4
24		0054106-NLA	NLA - Locknut, High Profile (3/8-16)	1	5
25		0139900	Washer, Nylon (1/2 x 3/4 x 3/32")	1	8
26		1106223	Screw, Socket Head (3/8-16 x 2-1/2")	1	1
27		1068141-NLA	NLA - Link, Black	1	2
28	D	1077773-NLA	NLA - Link Assembly, Weight Shift Basic Tilt	1	1
29		0313900-NLA	NLA - Rod, End with Locknut and Roll Pin	1	1
30	E	1084184-NLA	NLA - Cover w/ Attaching Hardware, Rear Actuator, MWD	1	1
31		1072695-NLA	NLA - Screw, Phillips Pan Head Tap (#6 x 1/2")	1	2

## Seat Frame Attaching Hardware 2nd Generation Storm

Item Number	Note	Part Number	Description	Quantity Per	
				Package	Assembly
32		1064694	Block, Pivot, Linear Guidance	1	2
33		1102887	Screw, Socket Flat Head (1/4-20 x 1/2")	1	4
NOTE: A - Guidance assembly changed 11/09/99 replacing right/left side part numbers with one universal part number and serves as a direct replacement for chairs manufactured before 11/09/99 as well. B - Includes Linear Guidance, Pivot Block and Screws. C - Includes Actuator Assembly and Items 1, 2, 12, 18, 21, and Instruction Sheet. D - Includes Items 22-27 E - Includes Item 31 F - Includes Actuator Assembly, item 21, and Instruction Sheet.					