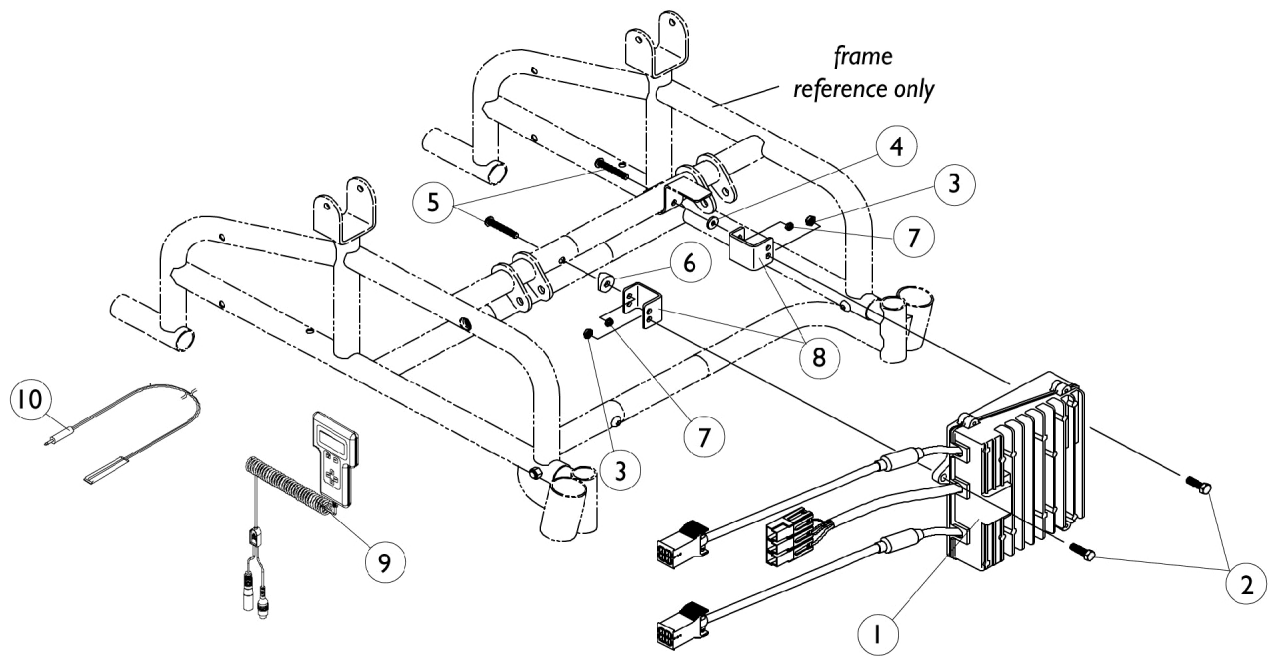


MKIV Controller, Programmer and Attaching Hardware



MKIV Controller, Programmer and Attaching Hardware

Item Number	Note	Part Number	Description	Quantity Per	
				Package	Assembly
1		1105707-NLA	NLA - Controller, MKIV Quad Pulse	1	1
1	B,G	1095269-NLA	NLA - Controller, MKIV RII, Retro	1	1
2		7930337-NLA	NLA - Package, Screw, Hex Head w/ Patch (5/16-18 x 1-1/4")	25	2
3		1028769	Locknut (5/16-18)	1	2
4		1018739	Washer (1/4 x 5/8 x 3/32")	1	1
5		1008495	Screw, Socket Button Head (1/4-20 x 1-1/2")	1	2
6		40157X019-NLA	NLA - Spacer, Coved (1/4 x 7/8 x 7/16")	1	1
7		7930323-NLA	NLA - Package, Locknut (1/4-20)	25	2
8		1052245-NLA	NLA - Bracket, Controller Mounting, Black	1	2
9	H	1109091-NLA	NLA - Programmer, Remote	1	1
10	I	1020818	Switch, Red Flex Ribbon (Tape) Reset	1	1
10	A,J	1123276	Kit, Switch, Black Egg Reset w/ Hook/Loop Adhesive Back Fastener & Attaching Screws (EGSBLK)	1	1
	C	1052248-NLA	NLA - Hardware, Controller	1	1
	A,D	1064404-NLA	NLA - Virtual Service Modem Kit	1	1
	A,E	1091631-NLA	NLA - Virtual Service Software Kit	1	1
	A,D	1103051-NLA	NLA - MKIV One 2 One Software Kit	1	1
	A,F	1046117-NLA	NLA - Printer and Interface	1	1
	A	1095204-NLA	NLA - Cable, Virtual Service, Charger/Modem	1	1
	A	1091980-NLA	NLA - Disk, 3.5 H.D. Floppy with V.S. Software	1	1
	A	1091637-NLA	NLA - Adaptor, Null Modem	1	1
	A	1091636-NLA	NLA - Service Manual - V.S. Software Kit	1	1
	A	1026572-NLA	NLA - Paper, Printer	1	1
	A	1027280-NLA	NLA - Harness, Printer Wiring	1	1

NOTE: A - Not Shown
 B - After 4/30/00
 C - Includes Items 2-8
 D - Part number 1095204 is available for individual sale.
 E - Part numbers 1091980, 1091637, 1091636, and 1095204 are available for individual sale.
 F - Part numbers 1026572 and 1027280 are available for individual sale.
 G - RII retro controller after 4/30/00 and RII joystick part number (1092610) are direct replacements for joystick/controller part number (1080723).
 H - Remote Programmer part number (1109091) with the dual connectors (3-Pin and 5-Pin) is the only programmer functionable with the new RII joystick part number (1092610).
 I - Before 5/24/04
 J - Not Shown. After 5/23/04 the Egg Reset Switch replaced the Red Flex Ribbon (Tape) Reset Switch