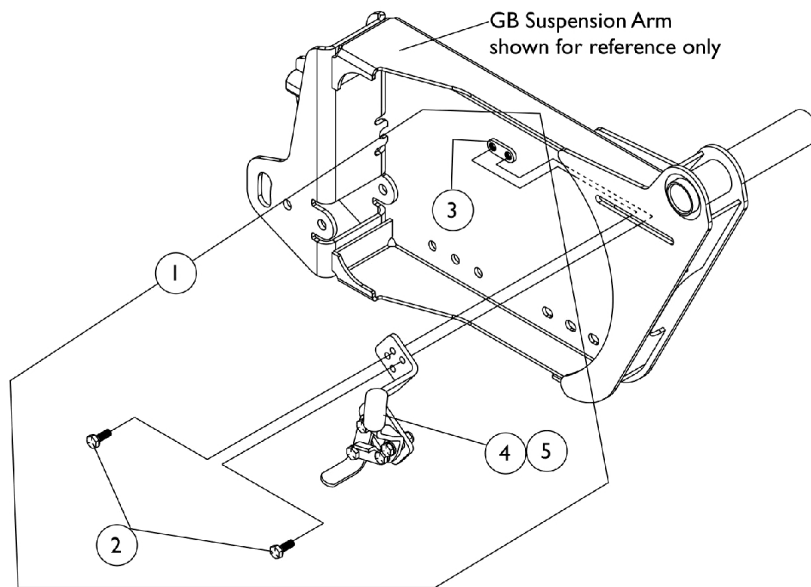
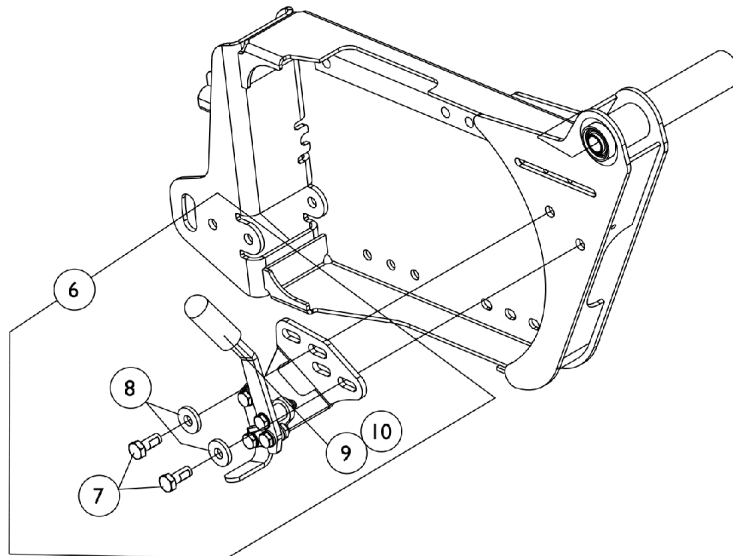


Wheel Lock Assembly

Gearless/Brushless



Wheel Lock Assembly for Non-Heavy Duty GB motors offered On-Chair thru 1/25/04. After 1/25/04 TTHD TrueTrack Heavy Duty GB motors became the only On-Chair GB motor choice. Due to wheel lock interference with the brake lever, wheel lock assemblies were not offered On-Chair for Heavy Duty GB motors until 1/1/06. See wheel locks shown below.



Wheel Lock Assembly introduced on 1/1/06 to be used for TTHD TrueTrack Heavy Duty GB motors.

Wheel Lock Assembly Gearless/Brushless

Item Number	Note	Part Number	Description	Quantity Per	
				Package	Assembly
1	A	1079252-NLA	NLA - Wheel Lock Assembly w/ Mounting Hardware - Right	1	1
1	A	1079253-NLA	NLA - Wheel Lock Assembly w/ Mounting Hardware - Left	1	1
2		1045267	Screw, Hex Head w/ Patch (1/4-20 x 3/4")	1	2
3		1078199-NLA	NLA - Nut	1	2
4		1079266-NLA	NLA - Wheel Lock Assembly, GB - Right	1	1
4		1079267-NLA	NLA - Wheel Lock Assembly, GB - Left	1	1
5		1136024-NLA	NLA - Package, Rubber Tip, Wheel Lock Handle, Black	10	1
6	B,C	1136022-NLA	NLA - Kit, Wheel Lock Assembly with Mounting Hardware - Right	1	1
7			Wheel Lock Assembly, GB HD - Right	1	1
8			Washer, Flat (21/64 x 53/64 x 7/64")	1	2
9			NLA - Screw, Hex Head w/ Patch (5/16-18 x 1")	1	2
6	B,C	1136023-NLA	NLA - Kit, Wheel Lock Assembly with Mounting Hardware - Left	1	1
7			Wheel Lock Assembly, GB HD - Left	1	1
8			Washer, Flat (21/64 x 53/64 x 7/64")	1	2
9			NLA - Screw, Hex Head w/ Patch (5/16-18 x 1")	1	2
10		1136024-NLA	NLA - Package, Rubber Tip, Wheel Lock Handle, Black	10	1

NOTE: A - Includes items 2-4 and 1 ea.of item 5 Wheel Lock Rubber Tip
B - Includes items 7-9 and 1 ea.of item 10 Wheel Lock Rubber Tip
C - Wheel Lock was revised and mounting screw was lengthened 10/29/07 to accommodate the new Stop Plate added for the GB HD Motor braking mechanism. The Wheel Lock Assembly Kit can retrofit to all GB HD Motor equipped models in the field