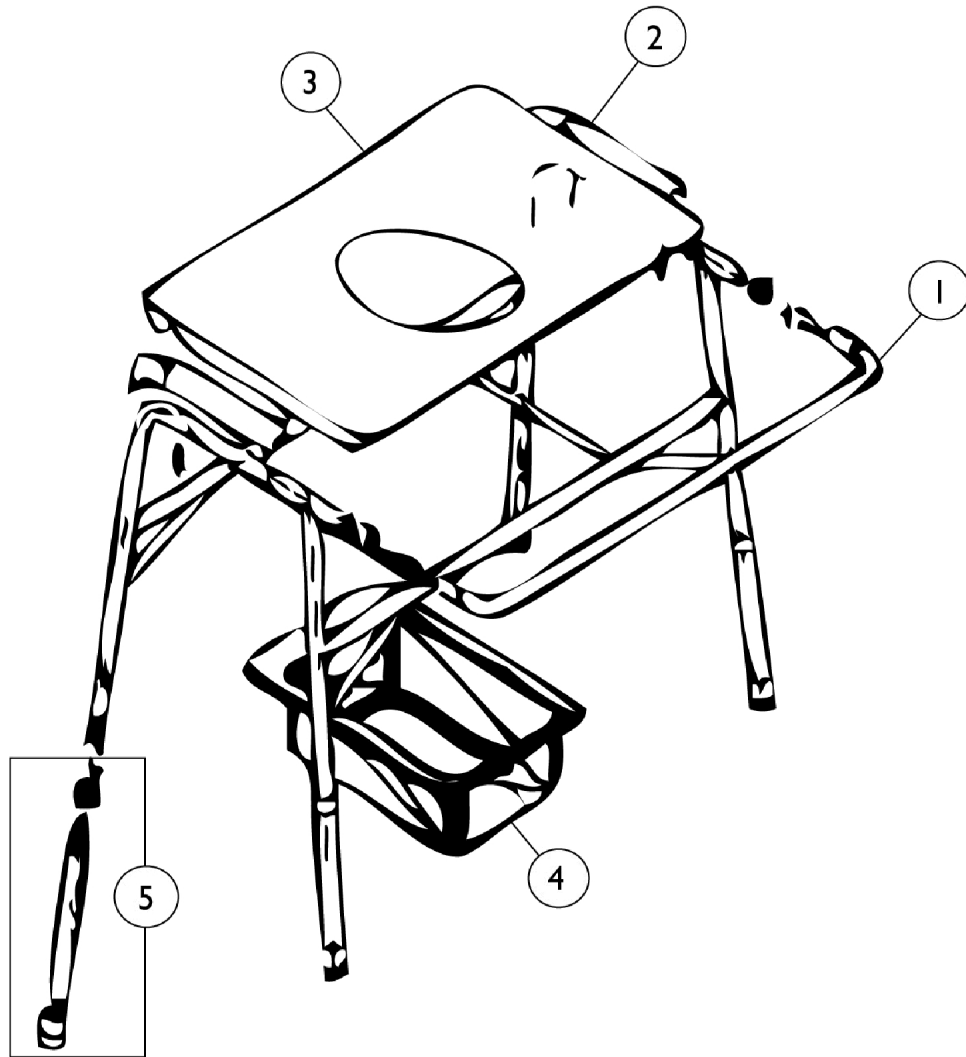


Bariatric Commode - Model 6500BHD



Item Number	Note	Part Number	Description	Quantity Per	
				Package	Assembly
1		1150799	Rail, Back with Snap Buttons	1	1
2		1150792-NLA	NLA - Kit, Arm Pad w/ Hardware	1	2
3		1150795-NLA	NLA - Seat, Rectangular	1	1
4		1160684-NLA	NLA - Pan, Model 6500BHD	1	1
5		1150798-NLA	NLA - Leg Extension Assembly	1	2