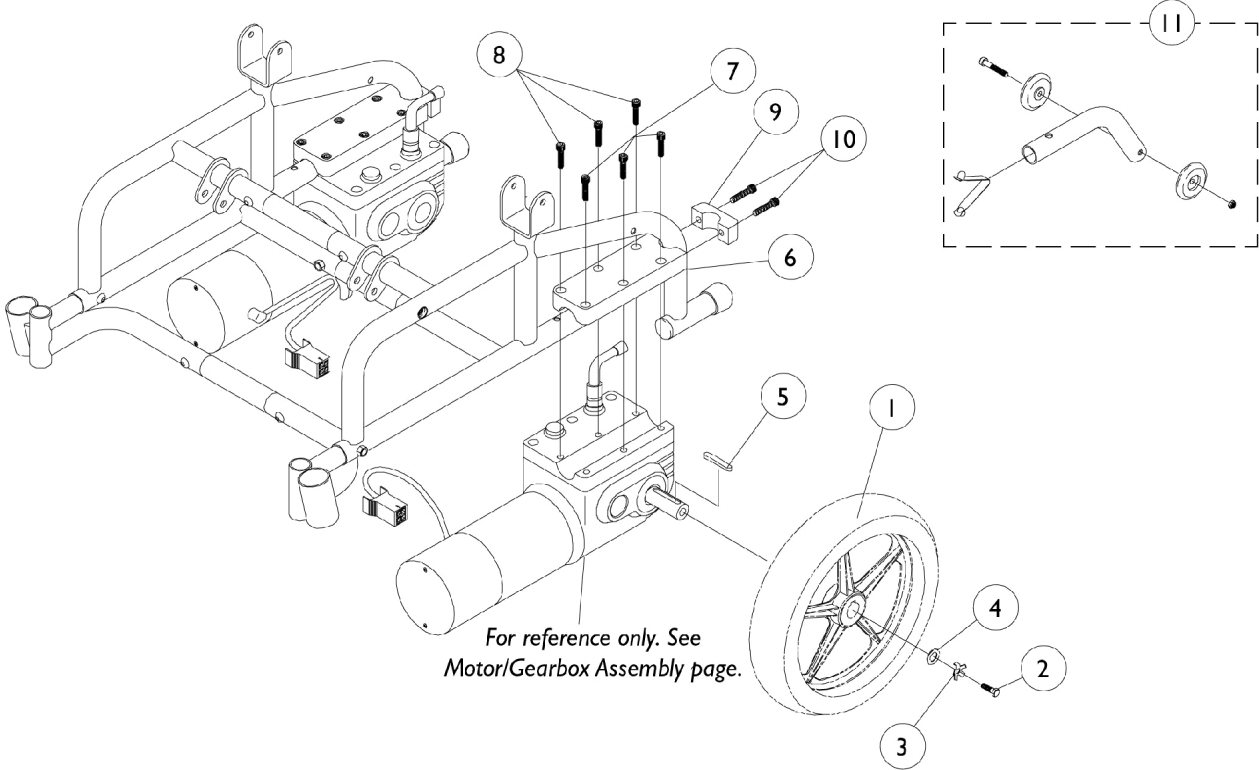


Rear Wheels and Motor Mounting Hardware



Rear Wheels and Motor Mounting Hardware

Item Number	Note	Part Number	Description	Quantity Per	
				Package	Assembly
1		1064178-NLA	NLA - Drive Wheel Assembly, 5 Spoke, Pneumatic (12-1/2 x 2-1/4") Includes: Locking Tab Washer with Instruction Sheet	1	1
1		1064177	Drive Wheel Assembly, 5 Spoke w/ Foam Fill Insert (12-1/2 x 2-1/4") Includes: Locking Tab Washer with Instruction Sheet	1	1
1		1011524	Tire, Pneumatic, Grey (12-1/2" x 2-1/4")	1	1
1		1011525	Tube, Inner, Black (12-1/2 x 2-1/4")	1	1
1	A	1073936-NLA	NLA - Insert, Flat Free	1	1
1		1064176-NLA	NLA - Rim with Locking Tab	1	1
2		1023260	Screw (M8 x 1.25 x 20mm)	1	1
3		1064179	Kit, Locking Tab Washer w/ Instruction Sheet (Pair)	2	1
4		1079247	Washer, Flat (21/64 x 53/64 x 7/64")	1	1
5		1023264	Key (6mm x 6mm x 40mm)	1	1
6	B	1039400-NLA	NLA - Clamp, Motor Half	1	1
6	C	1139528-NLA	NLA - Clamp, Motor Half	1	1
7		1023258-NLA	NLA - Screw, Socket Head Cap (M6 x 1 x 40mm)	1	3
8	B,D	1023257-NLA	NLA - Screw, Socket Head (M6 x 25MM)	1	3
8	C	1057823-NLA	NLA - Screw, Socket Head (M6 x 30mm)	1	3
9		1039401-NLA	NLA - Cap, Motor Clamp, Black	1	1
10		1027268	Screw, Allen Head (1/4-20 x 1")	1	2
11		1038412-NLA	NLA - Anti-Tipper, Rear	1	1

NOTE: A - As of 10/20/99 the "solid" flat free insert was replaced by a "foam fill" process. When a Flat Free Insert is requested, a complete wheel must be ordered.
 B - Before 6/29/06
 C - After 6/28/06
 D - No Longer Available.