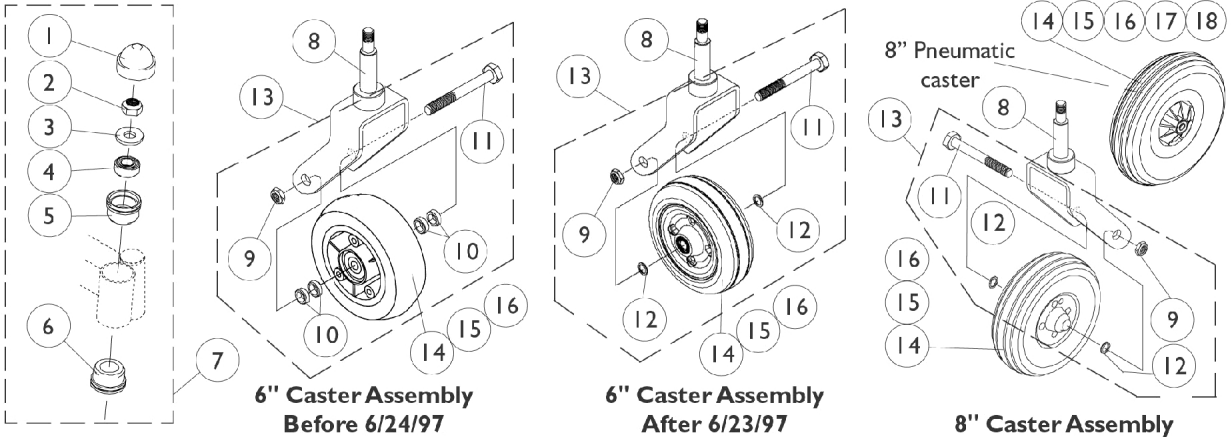


6" and 8" Casters



6" and 8" Casters

Item Number	Note	Part Number	Description	Quantity Per	
				Package	Assembly
1		1001843	Cap, Head Tube, Black	1	1
1		1131189	Package, Head Tube Cap	10	1
2		20225X000	Locknut (7/16-20)	1	1
3		40014X044-NLA	NLA - Washer, Nylon (7/16 x 1 x 1/8")	1	1
4		1006049	Bearing (7/16")	1	1
5		57768X030-NLA	NLA - Sleeve, Aluminum	1	1
6		1033083	Bearing, Sleeve, Lower	1	1
7	D	1038219-NLA	NLA - Mounting, Caster Fork	1	1
8	B	1079861	Fork and Stem, Black (6")	1	1
8	B,E	8881079862-NL A	NLA - Fork and Stem, Color (6")	1	1
8	B	1079864-NLA	NLA - Fork and Stem, Black (8")	1	1
9		1025734	Locknut (7/16-20)	1	4
10		1026101	Spacer (7/16 x 5/8 x 3/16")	1	1
11		1025726	Screw, Hex Head (7/16-20 x 3-1/4")	1	2
12	L	1025724	Washer, Steel (15/32 x 5/8 x 3/64")	1	2
12	F	1016032	Washer, Steel (15/32 x 5/8 x 3/64")	1	1
13	G	1043620-NLA	NLA - Hardware, Caster, Standard Fork	2	1
13	H	1042489	Hardware, Caster Axle	1	2
13	I	1030418-NLA	NLA - Hardware, Caster	1	2
14	J	40117X024	Bearing (7/16" I.D. x 1-3/8" O.D.)	1	1
14	K	1006049	Bearing (7/16")	1	2
15		1020592	Spacer, Bearing (7/16 x 5/8 x 1-3/4")	1	1
16	C,N,N1	1072014-NLA	NLA - Wheel Assembly, Semi-Pneumatic, Urethane (6" x 2")	1	1
16	O	1115179	Wheel Assembly, Semi-Pneumatic, Urethane, Deep Profile, Grey Tire/Black Hub (6" x 2")	1	1
16	O	1122066	Wheel Assembly, Semi-Pneumatic, Urethane, Deep Profile, Grey Tire/Black Hub (6" x 2") (Pair)	2	1
16	A	1070811	Wheel Assembly, Semi-Pneumatic, Urethane, Light Grey (8" x 1-3/4")	1	1
16		1002002	Wheel Assembly w/ Bearings, Pneumatic (8" x 2")	1	1
17		40176X034	Tire, Pneumatic (8" x 2")	1	1
18		1034942	Tube, Pneumatic Inner (8 x 2")	1	1
	M	1071666	Wheel Assembly, Semi-Pneumatic, Urethane, Light Grey (8" x 1-3/4") (Pair)	2	1

6" and 8" Casters

NOTE: A - For chairs manufactured before 6/9/97, order in pairs (Pair #1071666).
B - Fork design changed 10/5/98. For chairs manufactured before 10/5/98, order in pairs to match.
C - For chairs manufactured before 6/24/97, order in pairs and new caster hardware dated after 6/23/97.
D - Includes items 1-6
E - Specify color when ordering.
F - 8" Casters
G - 6" Fork (Before 6/24/97) Per Side
H - 6" Fork (After 6/23/97) accommodates 1 side only.
I - 8" Fork, One Pair
J - 6" Casters (Before 6/24/97)
K - 8" Casters and (6" Casters After 6/23/97)
L - 6" Casters (After 6/23/97)
M - Not Shown
N - Service part No Longer Available 8/15/03. Due to product improvement, order (pair) part number 1122066 dated after 8/14/03 so each side matches. The deep profile caster has 2 tread grooves w/ round corners instead of 4 tread grooves w/ square corners.
N1 - For chairs manufactured before 6/24/97, order new caster hardware dated after 6/23/97 as well.
O - For chairs made after 8/14/03