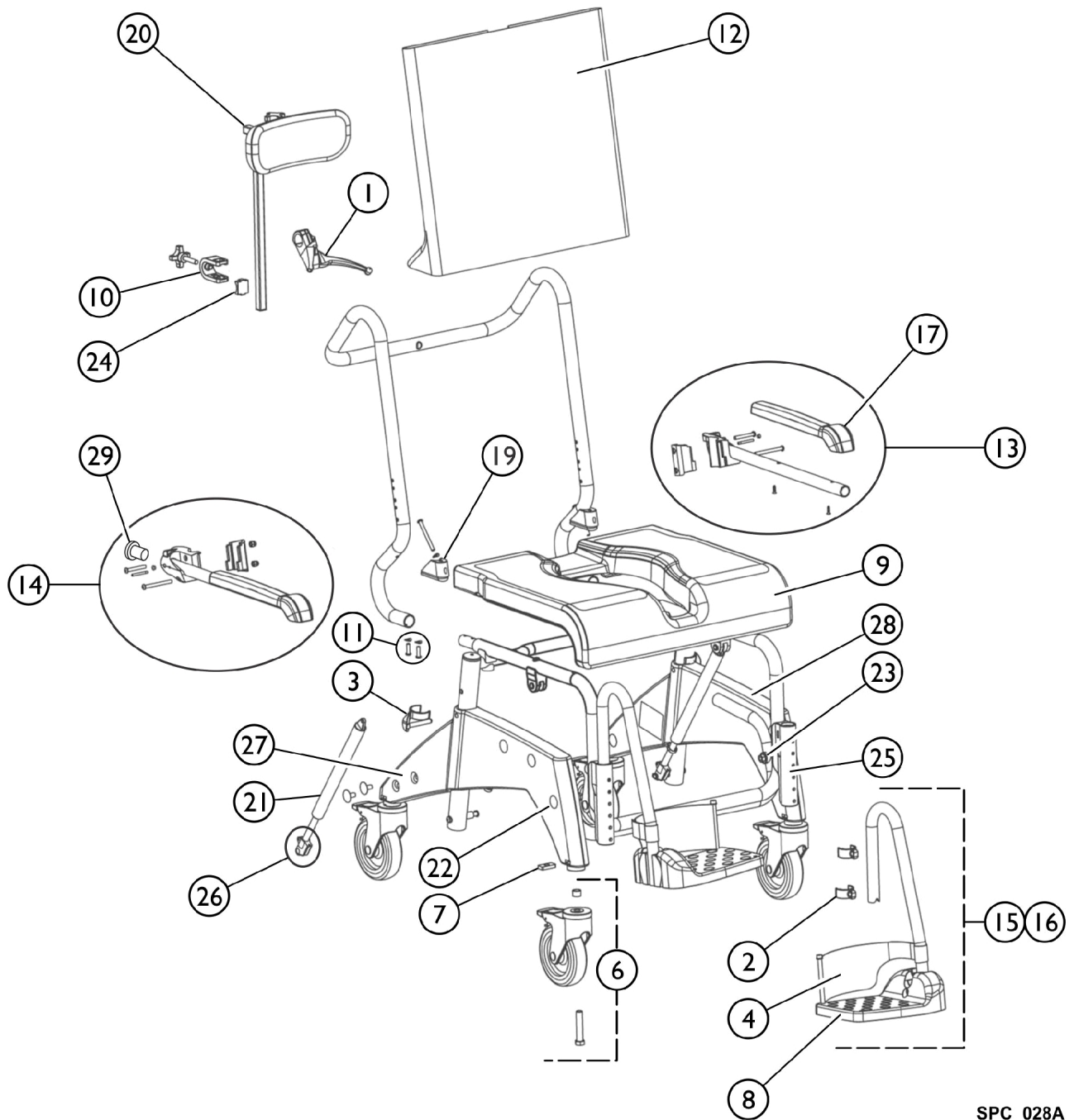


# Ocean VIP Commode



SPC\_028A

## Ocean VIP Commode

Item Number	Note	Part Number	Description	Quantity Per	
				Package	Assembly
1		1470732	Lever, Brake	1	--
2		16333	Clip, Footrest	1	--
3		1470686	Clip, Frame	1	--
4		16334	Heel Loop (Pair)	1	--
5		1470687	Caster, Directional Locking, Blue Tab	1	--
6		16259	Caster, Locking, Red Tab	1	--
7		1470688	Plate, Threaded	1	--
8		1470689	Footrest Plate	1	--
9		1470690	Seat	1	--
10		1470700	Headrest Assembly without Bracket	1	--
10	A	1905916	Kit, Headrest Bracket	1	--
10		1470971	Holder, Headrest	1	--
10	B	1905917	Holder, Headrest	--	--
11		16434	Fastening Hardware for Backrest	1	--
12		1471143	Cover, Backrest	1	--
13		1470694	Armrest Assembly Left	1	--
14		1470693	Armrest assembly, Right	1	--
15	C	1470696-NLA	NLA - Footrest, Complete - Right	1	--
15		SP1643542	Footrest cpl., Right - Ocean (XL) / VIP / Ocean Ergo Series	1	--
16	D	1470695-NLA	NLA - Footrest, Complete - Left	1	--
16		SP1643541	Footrest cpl., Left - Ocean (XL) / (Dual-)VIP / Ocean Ergo Series	1	--
17		16472	Armrest Pads Incl. Screws Kit	1	--
18		1470698	Kit, Plugs, Sideparts - Rear	1	--
19		1470699	Adapter, Backrest, Triangles with Screws	1	--
20		1470700	Headrest Assembly without Bracket	1	--
20		1470790	Headrest, Complete	1	--
21		1470701	Gas Spring, 330N (units before SN 14KEC030842)	1	--
21		1574477	Gas Spring, 200N (units after SN 14KEC030842)	1	--
22		1470702	Plugs for Sideparts - Front	1	--
23		1470704	Screws for Basic Tube	1	--
24		1514509	Clamp, Headrest	1	--
25		1470929	Holder, Footrest, Ocean VIP	1	--
26		1470703	Mechanism, Release for Gas Spring	1	--
27		1526018	Side Part - Right	1	--
28		1526019	Side Part - Left	1	--
29		1514510	Insert, Armrest	1	--
		1470086	Armrests, Extra Large (Pair)	1	--
		1470685	Brake Cable Assembly	1	--
		10230	Collection Pan with Lid	1	--
		1470076	Holder, Sanitary Pan	1	--
		1470053	Instruction Manual, Ocean VIP	1	--

NOTE: A - Until (10/17/2006).  
 B - From (10/18/2006).  
 C - Part number 1470696 in No Longer Available, use part number SP1643542 as a replacement.  
 D - Part number 1470695 in No Longer Available, use part number SP1643541 as a replacement.