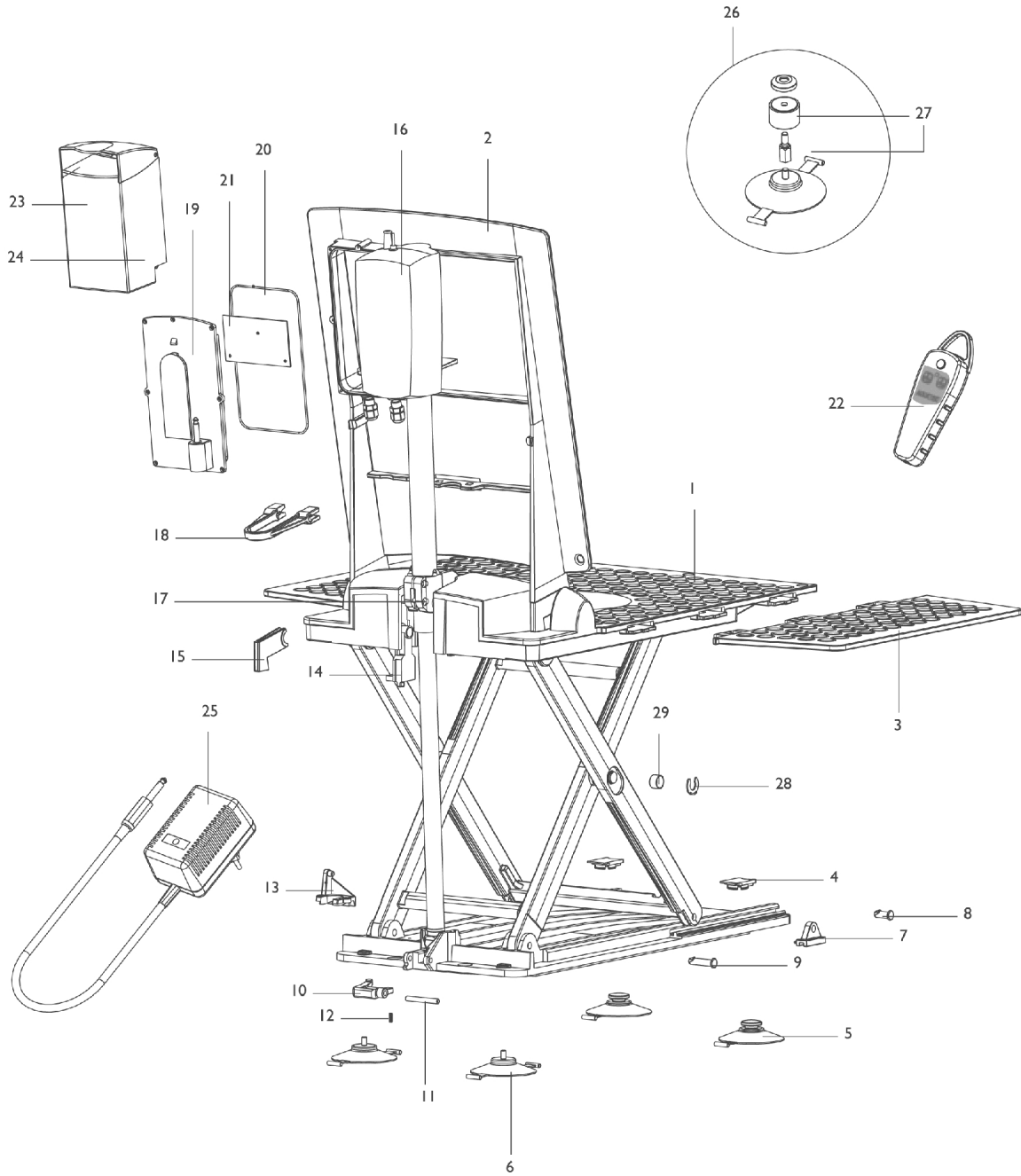


# Elan Bathlift Model III

Since 01-05-23

Since serial number 761895



## Elan Bathlift Model III

### Since 01-05-23

Item Number	Note	Part Number	Description	Quantity Per	
				Package	Assembly
1	A	15962	Cover, Seat, White (3 mm) (Before July 2001)	--	--
1	A	16399	Cover, Seat, White (3 mm) (After June 2001)	--	--
2	A	15959	Cover, Backrest, White (3 mm)	--	--
2		15967	Backrest (Frame Only)	--	--
1+2	A	15966	Cover, Seat and Backrest, White (3 mm) (Before July 2001)	--	--
1+2	A	16025	Cover, Seat and Backrest, White (3 mm) (After June 2001)	--	--
3		15892	Flap, Side with Film Hinge	--	--
4		15121	Cap for Suction Cup	--	--
5		15072-NLA	Cups, Suction with Toggle (Pair)	--	--
6		15071	Cups, Suction, Screw-in (Pair)	--	--
5+6		15353	Cups, Suction, Screw-In and Toggle (Set) (8 cm)	--	--
7		15106-NLA	NLA - Shoe, Gliding	--	--
8		15105	Bolt for Gliding Shoe	--	--
9		15104-NLA	NLA - Bolt for U-Bearing	--	--
10		15113	Locking Device	--	--
11		15103	Bolt for Locking Device	--	--
12		14929	Spring	--	--
13		15114	Plate	--	--
14a		15293	Bearing with Stud - Left	--	--
14b		15292	Bearing without Stud - Right	--	--
15		15738	Cup, Bearing	--	--
16	B	15255	Actuator	--	--
17		15830	Pulley Assembly with Hardware	--	--
18		15905	Holder	--	--
19		15367	Cover with Plug	--	--
20		15140	O-Ring	--	--
21		15183	Circuit Board	--	--
22		16215A	Hand Control w/ Spiral Cable and Screws	--	--
23		15166	Battery, Complete	--	--
24		15224	Fuse, Glass (5 x 20) 5 AMP	--	--
25		15239	Charger, Battery, Canada / USA	--	--
26	C,D	15170	Kit, Conversion Height Adapter (2 cm)	--	--
27	C,D	14694	Adapters, Height (Set)	--	--
28		15344	Washer, Securing	--	--
29		15806	Sleeve, Gliding	--	--
		15298	Kit, Conversion without Height Adapters	--	--
		15881	Kit, Recirculation without Battery Charger (Until May 2001)	--	--
		15983	Kit, Recirculation without Battery Charger (Before July 2001)	--	--
		15984	Kit, Recirculation without Battery Charger (After June 2001)	--	--

# Elan Bathlift Model III

## Since 01-05-23

NOTE: A - Not Shown  
B - Includes Motor, Pulley Assembly and Spindle Foot.  
C - For height adaptation up to 4cm, you must order (1) Height Adapter Set Part # 14694 and (1) Conversion Kit Part # 15170.  
D - For height adaptation up to 6cm, you must order (2) Height Adapter Set Part # 14694 and (1) Conversion Kit Part # 15170.