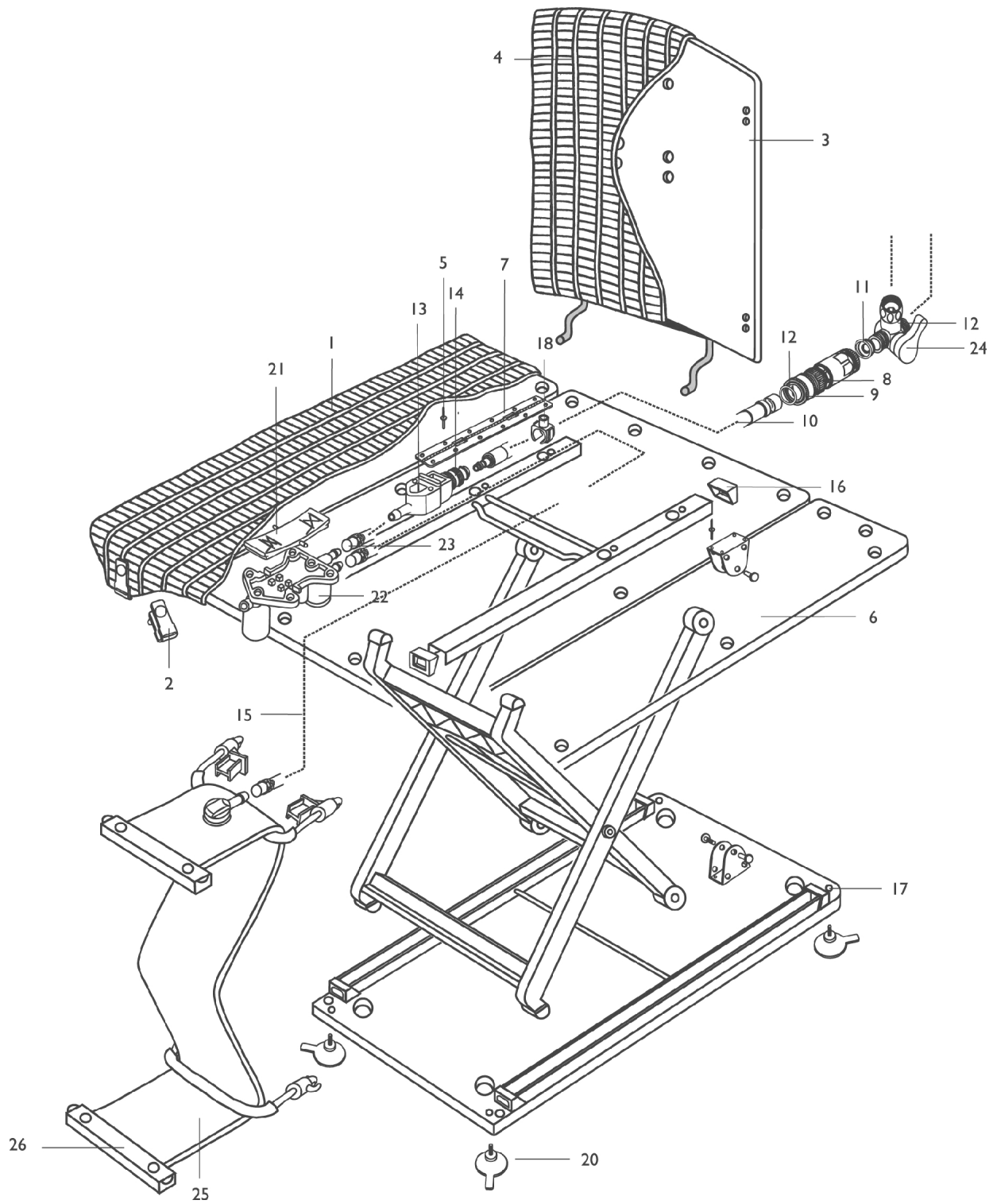


Classic Bathlift



Classic Bathlift

Item Number	Note	Part Number	Description	Quantity Per	
				Package	Assembly
1		13085	Cover, Seat, White - Right (3 mm)	1	1
1		15625	Cover, Seat, White - Left (3 mm)	1	1
2	G	12424-NLA	NLA - Fixation Set for Cover, White	--	--
2		10547	Clip, Covermat, Aquatec	--	--
2		10987	Loop, Seat Cover, Fortuna - White	--	--
2		10989	Minor Button - White	--	--
2		11382	Butterfly Clip	--	--
3		11161	Backrest, Stationary without Cover	--	--
4		13086	Cover, Stationary Backrest, White (3 mm)	--	--
1+4		15005	Seat and Backrest Cover, White (3 mm)	--	--
5		14041	Rivet (3.2 x 9.5L)	--	--
6		10929	Flap, Side	--	--
7		10176	Hinge	--	--
8		11491	Quick Disconnect (3/8")	--	--
9	A	11023-NLA	NLA - Insert, Sieve	--	--
10		12404	Hose, Supply (2 m)	--	--
10		12405	Hose, Supply Set (3 m)	--	--
11		10860-NLA	NLA - Washer	--	--
12		11661	O-Ring (18mm x 2mm)	--	--
13		14294	Connection Piece, Complete	--	--
14		10112	Quick Disconnect (3/8")	--	--
15		11020-NLA	NLA - Hose, PVC, Blue (1 m)	--	--
16		10933	Cover, C-Rail	--	--
17	F	10701	Screw	1	1
18		13128	Holder, PVC-Hose	--	--
19	A	10203	Holder, PVC-Hose, Twin	--	--
20		12496	Cups, Suction, Set	--	--
21		12370	Switch, Rocker	--	--
22		12462	Valve	--	--
23		12251	Clamp, PVC-Hose	--	--
24		11569	Diverter without Extension	--	--
25		13222DOL	Bladder, Complete, Grey	--	--
26		11027-NLA	NLA - Cover, Hose, Blue	--	--
	A	14666	Kit, Recirculation	--	--
	A,E	11082	Adapters, Height (2 cm)	--	--
	A,E	11081	Adapters, Height (4 cm)	--	--
	A,E	11080	Adapters, Height (6 cm)	--	--
	A	10084-NLA	NLA - Holder, Supply Hose	--	--
	A	12704	Extension, Vaillant Switch (1/2")	--	--
	A	11568	Junction, Vaillant	--	--
	A	10447-NLA	NLA - Fixation Piece, L-Shaped for Vaillant Switch (New Style)	--	--
	A,B	14147	Connector, Y-Style	--	--
	A	12550	Connector, Vaillant Switch Reduction (3/4" - 1/2" Regular Thread)	--	--
	A,C	10001	Connector, Shower (1/2")	--	--
	A,D	10128	Connection, Waterstop	--	--

Classic Bathlift

Item Number	Note	Part Number	Description	Quantity Per	
				Package	Assembly
	A	12101	Kit, Installation	--	--
	A	11127	Sleeve, Nut for Suction Cup	--	--
NOTE: A - Not Shown. B - Used with 2 x 3/4" outlets, on 1 x 3/4" to 1/2" Connection with Waterstop. C - Used for connecting Shower Hose and Quick Disconnect. D - For addition to Quick Disconnect. E - Includes a set of 4. F - For use with suction cup. G - No longer available. To reorder for replacement parts use 10547 (Qty. 6), 10987 (Qty. 22), 10989 (Qty. 6), and 11382 (Qty. 1)					