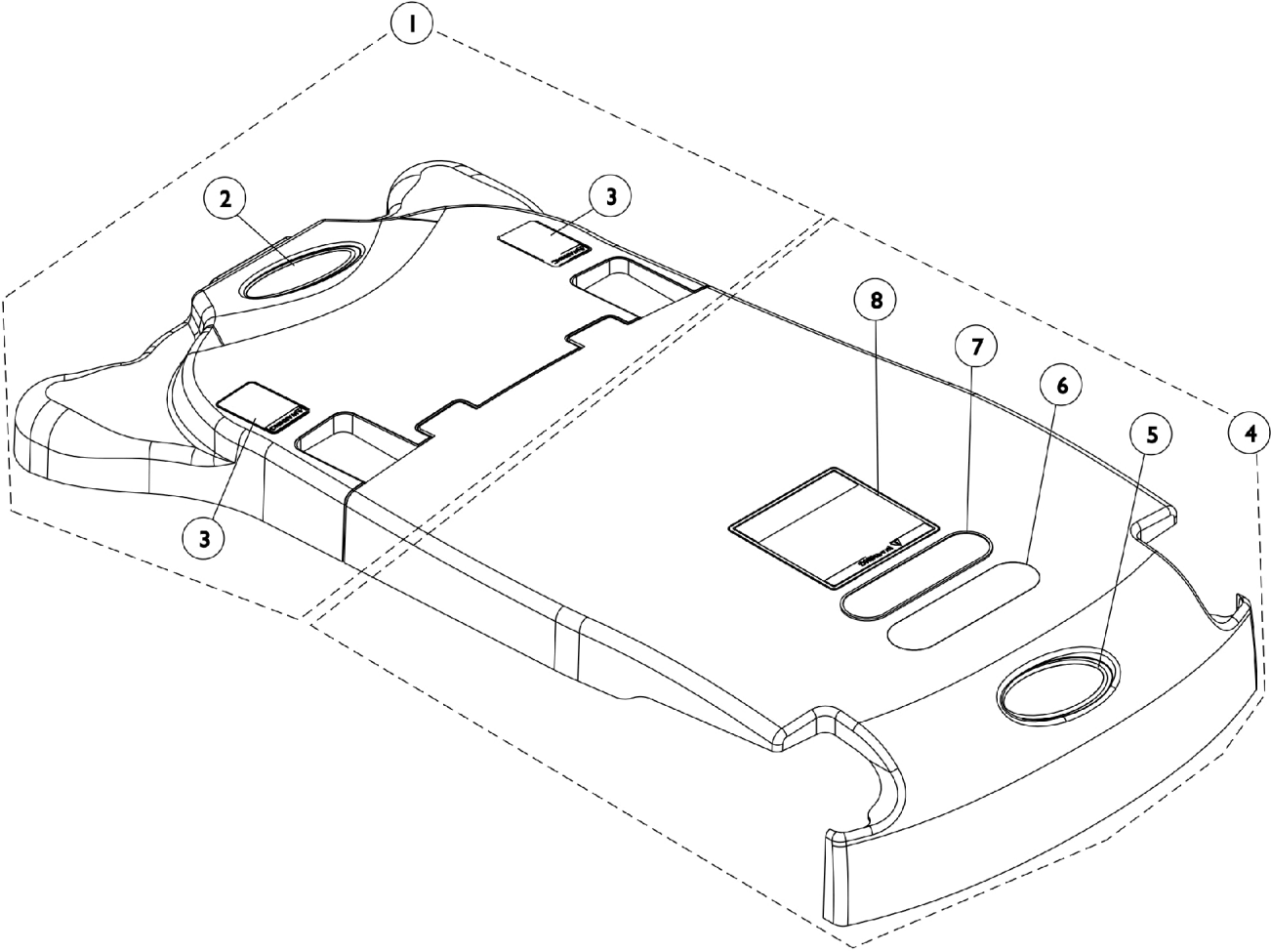


# Top Shrouds



## Top Shrouds

Item Number	Note	Part Number	Description	Quantity Per	
				Package	Assembly
1	A	1152539	Shroud, Top Rear w/ Decals, Black	1	1
2		1095489	Decal, Invacare 3-D Logo (2-1/2" L)	1	1
3		1079203	Decal, Warning Pinch Point	1	2
4	B	1152540-NLA	NLA - Shroud, Top Front w/ Decals, Black	1	1
5		1095489	Decal, Invacare 3-D Logo (2-1/2" L)	1	1
6		1035900	Decal, Transportation	1	1
7		1119281-NLA	NLA - Plate, Name, Patent Numbers	1	1
8		1122126-NLA	NLA - Label, Battery Warning	1	1

NOTE: A - Includes items 2 and 3 also  
 B - Includes items 5-8 also