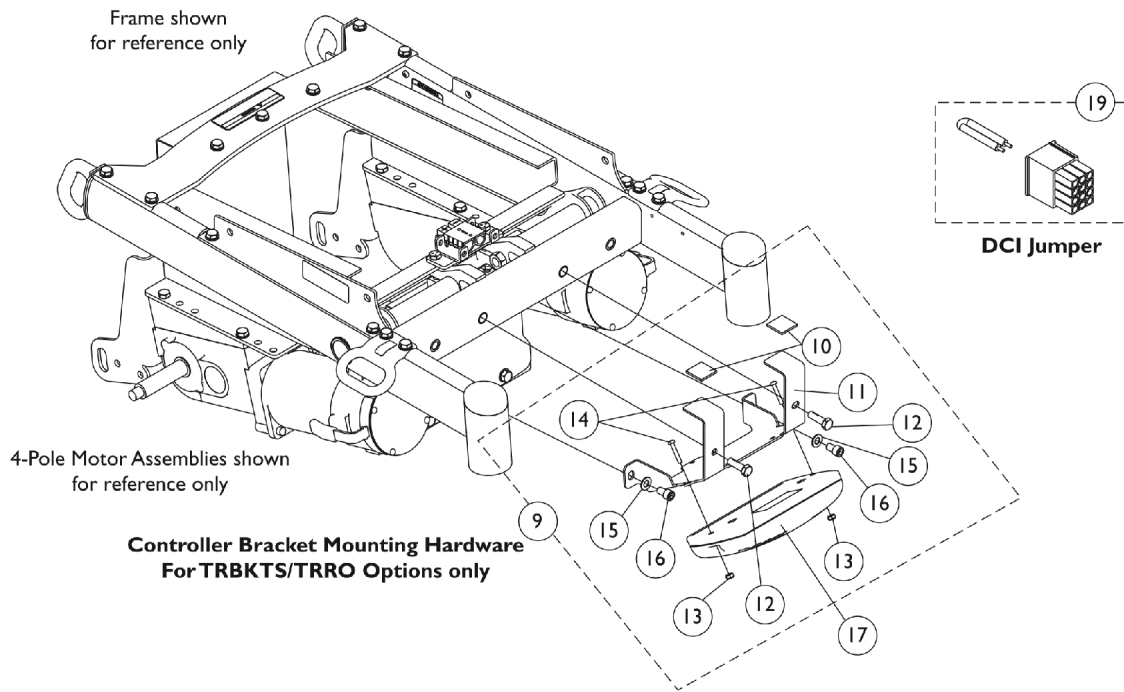
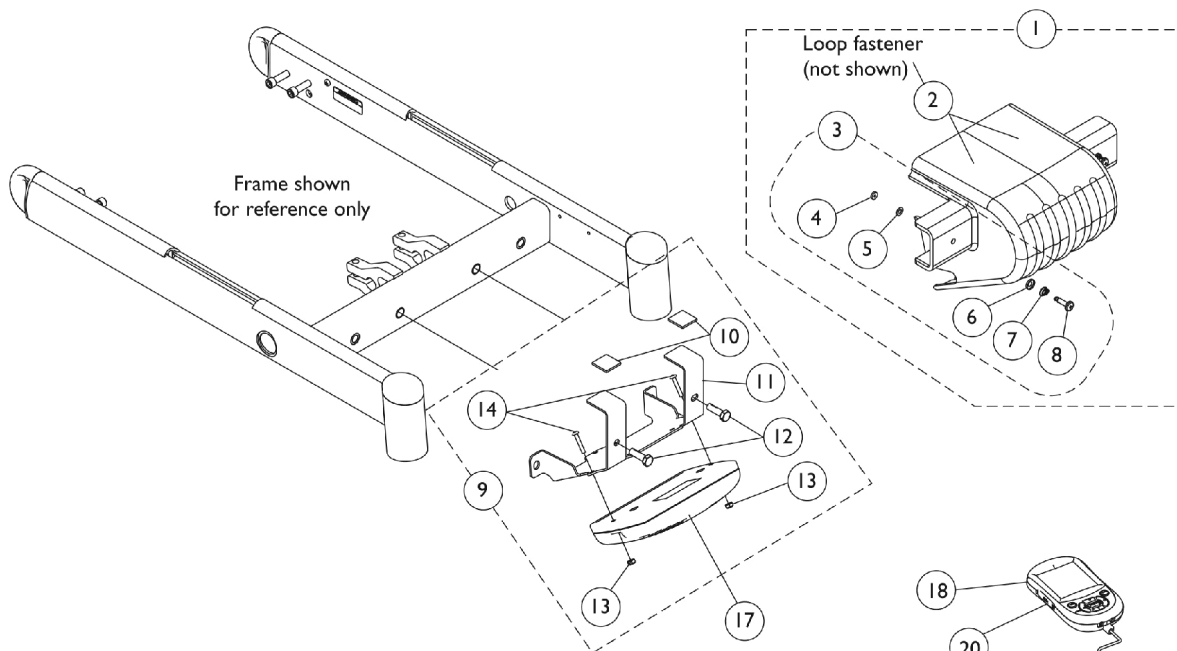


Controller - Programmer - Shroud Cover w/ Mtg. Hdwr. - 3G Storm w/ 4 Pole Motors



Controller - Programmer - Shroud Cover w/ Mtg. Hdwr. - 3G Storm w/ 4 Pole Motors

Item Number	Note	Part Number	Description	Quantity Per	
				Package	Assembly
1	A	1104839	Kit, Controller Shroud w/ Hardware	1	1
2		1079246-NLA	NLA - Fastener, Loop Adhesive Back (1" W x 3" L)	1	2
3	B	1104706-NLA	NLA - Kit, Controller Shroud Mounting Hardware (Pair)	1	1
4		1110509-NLA	NLA - Retainer, Stud (1/4" Turn)	1	2
5		1070580-NLA	NLA - Washer, Nylon Retainer (1/4 x 1/2 x 1/32")	1	2
6		1070581-NLA	NLA - Washer, Nylon Cupped (9/32 x 19/32 x 3/32")	1	2
7		1093312-NLA	NLA - Spring, Torsion Ejector	1	2
8		1110508-NLA	NLA - Stud, Phillips Recess (1/4" Dia. x 1" Long, 1/4 Turn)	1	2
9	C	1145380	Kit, Controller Bracket Mounting Hardware	1	1
10			NLA - Fastener, Hook with Adhesive Back (1" W x 1" L)	1	2
11			Bracket, Controller Mounting, Black	1	1
12			Screw, Hex Head w/ Patch (5/16-18 x 1")	1	2
13			Locknut (#8-32)	1	2
14			Screw, Phillips Pan Head (#8-32 x 1")	1	2
9	F	1147373	Kit, Controller Bracket Mounting Hardware (For TRBKTS/TRRO Option)	1	1
10			NLA - Fastener, Hook with Adhesive Back (1" W x 1" L)	1	2
11			Bracket, Controller Mounting, Black	1	1
12			Screw, Hex Head w/ Patch (5/16-18 x 1")	1	2
13			Locknut (#8-32)	1	2
14			Screw, Phillips Pan Head (#8-32 x 1")	1	2
15			Washer, Flat (5/16 x 5/8 x 1/16")	1	2
16			NLA - Screw, Socket Head Cap (5/16-18 x 1/2")	1	2
17		1136897	Controller, MK690	1	1
17	G,G1	1136898	Controller, MK690 w/ ACC	1	1
17	H	1148360-NLA	NLA - Controller, MK690 w/ ACC	1	1
18	I	1139985	Programmer, MK6i Remote	1	1
18	I	1142215	Kit, MK6i Remote Programmer w/ SD Professional Card & Card Holder (1813M6)	1	1
19	E	1140125-NLA	NLA - Jumper, DCI	1	1
20		1139997	Cover, SD Card Slot	1	1
	D	1095502-NLA	NLA - Package, Tie Wrap (11-1/2" L)	10	1

NOTE: A - Includes shroud cover and items 2-3.
 B - Includes items 4-8.
 C - Includes items 10-14.
 D - Not Shown
 E - DCI Jumper is used when an MPJ+ Joystick is used
 F - Includes items 10-16
 G - Part # 1136898 is used for all Base Only orders. When a customer request part # 1136898 for a Base Only order that shipped before 1/19/07,
 G1 - part #1148360 is no longer required as a replacement because the software for part #1136898 was revised 9/12/07 to version 2.61a and now accommodates all Base Only orders that shipped before 1/19/07 as well.
 H - Used for all Base Only orders. Discontinued 9/12/07, see part #1136898 as a direct replacement.
 I - The MK6i Programmer Manual (1141471) is not included and is strongly recommended the guide be ordered or downloaded from Literature Fulfillment.