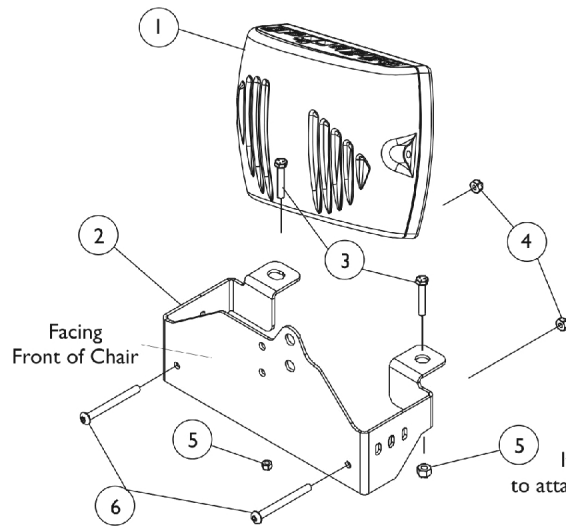
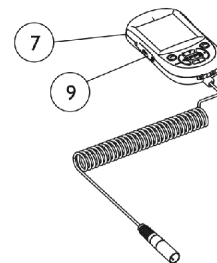
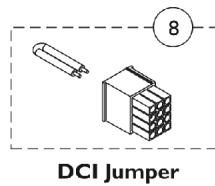
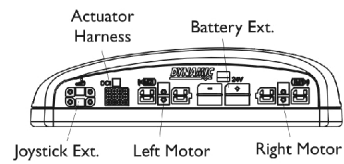


Controller - Programmer w/ Mtg. Hdwr. - Pronto M91/Pronto M94

MK6i electronics are used on Pronto M91 chairs with Rehab seats and all Pronto M94 chairs. Pronto M91 chairs that have Van seats use MK5 electronics. See Pronto M91 parts catalog for parts information.



Controller Connections



Controller - Programmer w/ Mtg. Hdwr. - Pronto M91/Pronto M94

MK6i electronics are used on Pronto M91 chairs with Rehab seats and all Pronto M94 chairs. Pronto M91 chairs that have Van seats use MK5 electronics. See Pronto M91 parts catalog for parts information.

Item Number	Note	Part Number	Description	Quantity Per	
				Package	Assembly
1		1136897	Controller, MK690	1	1
1	C,C1	1136898	Controller, MK690 w/ ACC	1	1
1	D	1148360-NLA	NLA - Controller, MK690 w/ ACC	1	1
2	F	1110665-NLA	NLA - Bracket, Controller Mounting, Black	1	1
	F,G	1112783-NLA	NLA - Bracket with Hardware, Controller, M91/M94	1	1
			NLA - Screw (#8-32 x 1/2")	1	1
			NLA - Screw, Hex Head (5/16-18 x 3/4")	1	1
			Washer, Steel (5/16 x 3/4 x 1/16")	1	1
			Locknut (5/16-18)	1	1
2			NLA - Bracket, Controller Mounting, Black	1	1
			Tie Wrap (11-1/2" L)	1	1
3		1044939-NLA	NLA - Screw, Hex Head (5/16-18 x 1-3/4")	1	2
4		1056098	Locknut (#8-32)	1	2
5		1026158	Locknut (5/16-18)	1	2
6		1127352	Screw, Phillips Pan Head (#8-32 x 1")	1	2
7	E	1139985	Programmer, MK6i Remote	1	1
7	E	1142215	Kit, MK6i Remote Programmer w/ SD Professional Card & Card Holder (1813M6)	1	1
8	B	1140125-NLA	NLA - Jumper, DCI	1	1
9		1139997	Cover, SD Card Slot	1	1
	A	1095502-NLA	NLA - Package, Tie Wrap (11-1/2" L)	10	1

NOTE: A - Not Shown
 B - DCI Jumper is used when an MPJ+ Joystick is used
 C - Part # 1136898 is used when a PTO Plus Powered Seating System is ordered and all Base Only orders. When a customer request part # 1136898 for a Base Only order that shipped before 1/19/07,
 C1 - part #1148360 is no longer required as a replacement because the software for part #1136898 was revised 9/12/07 to version 2.61a and now accommodates all Base Only orders that shipped before 1/19/07 as well.
 D - Used for all Base Only orders. Discontinued 9/12/07, see part #1136898 as a direct replacement.
 E - The MK6i Programmer Manual (1141471) is not included and is strongly recommended the guide be ordered or downloaded from Literature Fulfillment.
 F - Part #1110665 is no longer available for sale individually. Order kit part #1112783 Controller Bracket w/ Hardware. Kit Hardware inside carton is used for other Controller applications. Order 2 ea. of items 4 and 6 also.
 G - Not Shown