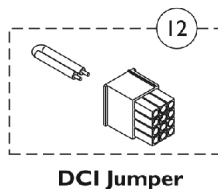
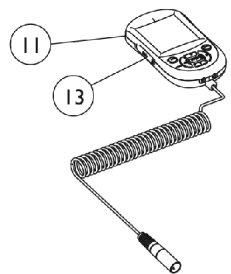
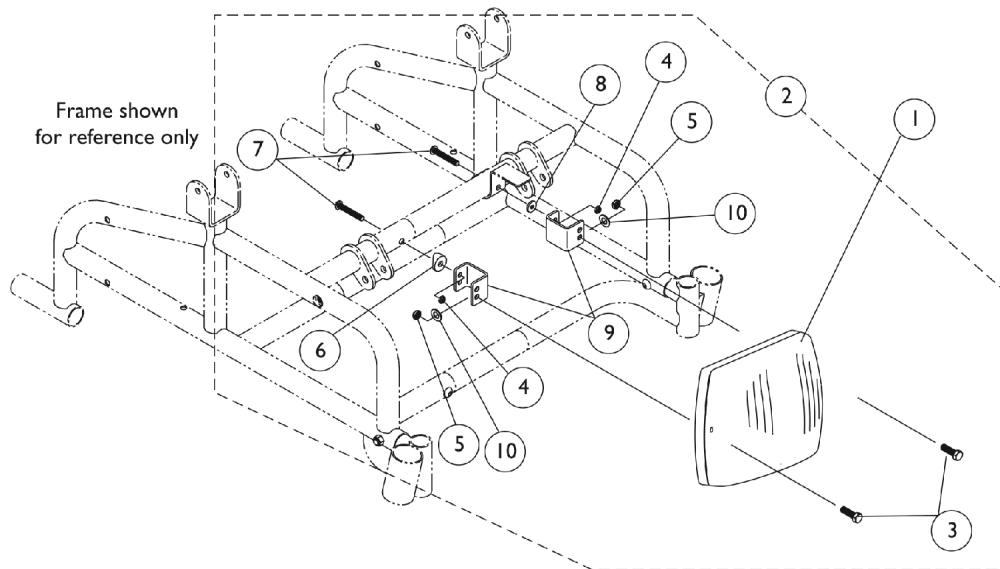


Controller, Programmer, and Mounting Hardware - Power Tiger



Controller, Programmer, and Mounting Hardware - Power Tiger

Item Number	Note	Part Number	Description	Quantity Per	
				Package	Assembly
1	B,B1,D, D1	1127270	Controller, MK5 NX w/ ACC/ MK660 w/ ACC	1	1
1	E	1148361-NLA	NLA - Controller, MK660 w/ ACC	1	1
2	A	1146608-NLA	NLA - Kit, Controller Mounting Hardware	1	1
3			Screw, Phillips Pan Head (#8-32 x 1")	1	2
4			Locknut (1/4-20)	1	2
5			Locknut (#8-32)	1	2
6			NLA - Spacer, Coved (1/4 x 7/8 x 7/16")	1	1
7			Screw, Socket Button Head (1/4-20 x 1-1/2")	1	2
8			Washer (1/4 x 5/8 x 3/32")	1	1
9			NLA - Bracket, Controller Mounting, Black	1	2
10			Washer, Flat (3/16 x 5/8 x 1/16")	1	2
11	F	1139985	Programmer, MK6i Remote	1	1
11	F	1142215	Kit, MK6i Remote Programmer w/ SD Professional Card & Card Holder (1813M6)	1	1
12	C	1140125-NLA	NLA - Jumper, DCI	1	1
13		1139997	Cover, SD Card Slot	1	1

NOTE: A - Includes items 3-10
 B - After 10/8/06 the MK5 NX w/ ACC controller was revised to function as a MK660 w/ ACC or MK5 NX w/ ACC controller. The part # did not change and the label was revised to only show MK660 w/ ACC.
 B1 - Revised controller is backward compatible with MK5 Driver Controls manufactured Before 10/9/06. Controllers in the field that show the MK5 NX w/ ACC label and serial # dated Before 10/9/06 will not have revised software to work with MK6i Driver Controls.
 C - DCI Jumper is used when an MPJ+ Joystick is used
 D - Part #1148361 controller is no longer required as a replacement for a chair ordered with Manual Tilt Option before 1/19/07.
 D1 - because the software for part #1127270 was revised 8/31/07 to version 2.61a and now accommodates all Manual Tilt optioned chairs shipped before 1/19/07 as well.
 E - Used for Chairs with Manual Tilt Option only. Discontinued 8/31/07, see part #1127270 as a direct replacement.
 F - The MK6i Programmer Manual (1141471) is not included and is strongly recommended the guide be ordered or downloaded from Literature Fulfillment.