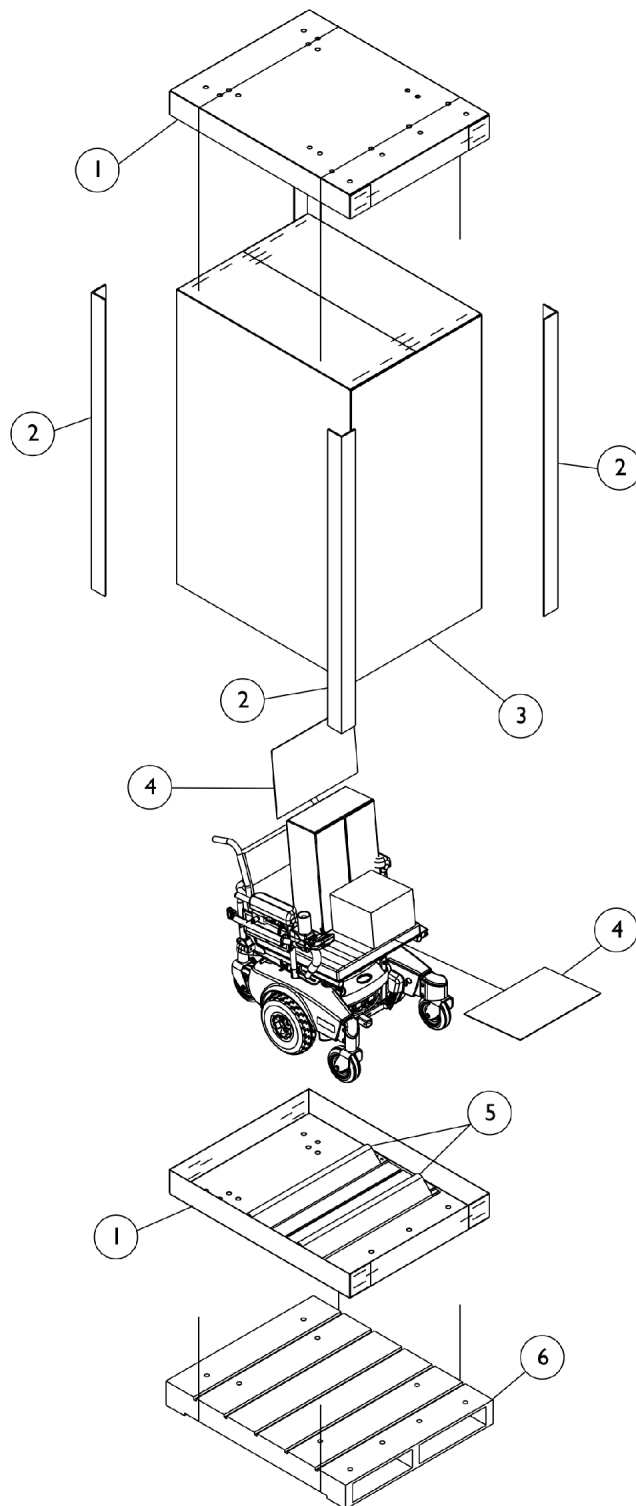


Packaging and Literature



Packaging and Literature

Item Number	Note	Part Number	Description	Quantity Per	
				Package	Assembly
1		1030362	Carton, Tray	1	2
2		1129589-NLA	Carton, Corner Reinforcement	1	4
3		1031682	Carton, Cover	1	1
4		40131X161	Insert, Plain Pad	1	2
5		1116612-NLA	NLA - Chock, Wheel	1	2
6	B	See Note	See Footnote	1	1
	A	00077X031-NLA	NLA - Warranty Card	1	1
	A	1148076-NLA	NLA - Owner's Manual, Pronto M51 Formula CG Tilt (CGT) Base	1	1
	A	1143155-NLA	NLA - Owner's Manual, Formula CG Seating	1	1
	A	1141471-NLA	NLA - Programming Guide, MK6i	1	1
	A,C	1164348	Mailer, Return, Mercury Free	1	1

NOTE: A - Not Shown
 B - Skid not supplied
 C - For Massachusetts providers only.

When adjusting or replacing parts, please refer to your Owner's Manual for assistance.