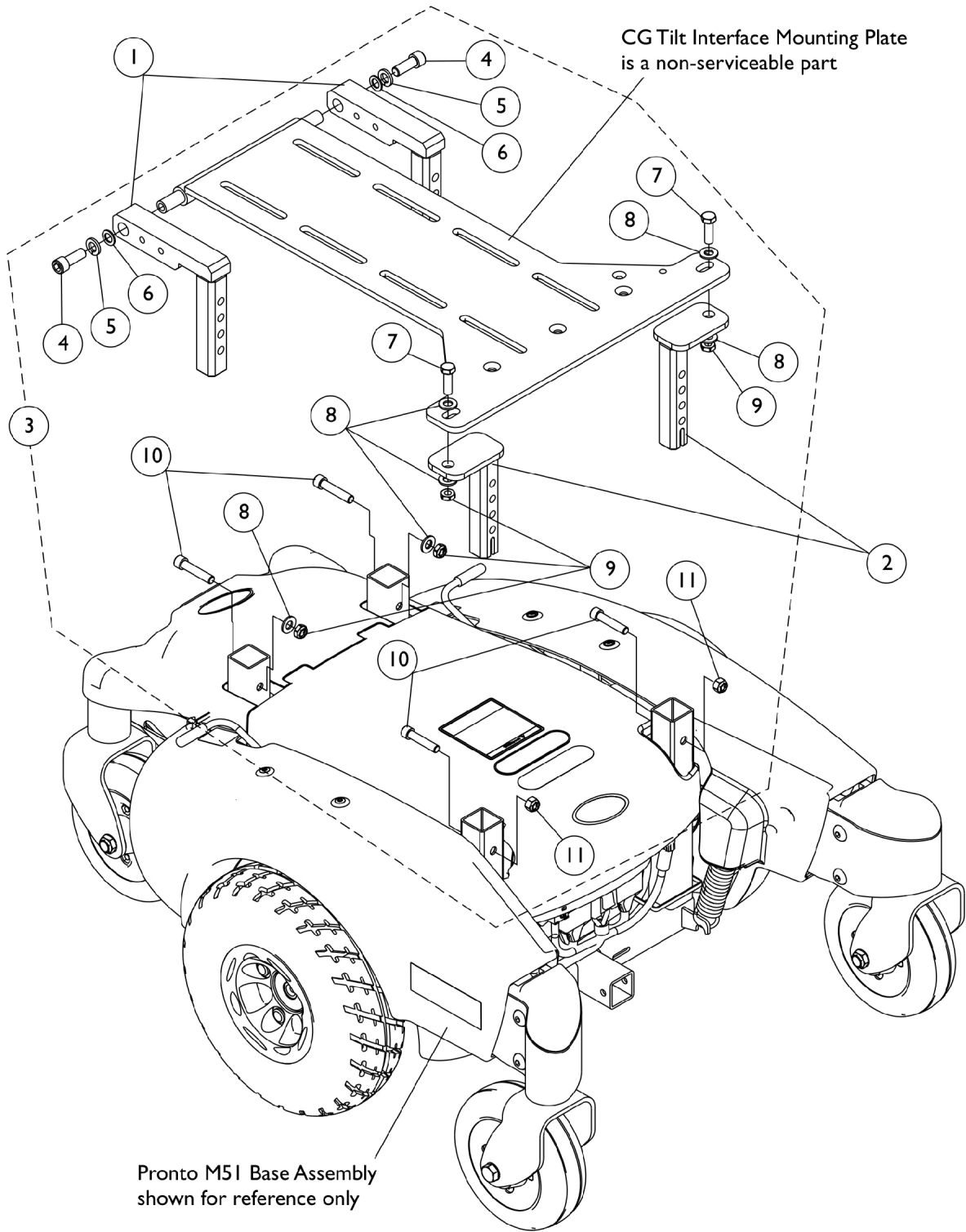


Tilt Interface, Seat Height Adjustment Slide Tubes & Mounting Hardware



Tilt Interface, Seat Height Adjustment Slide Tubes & Mounting Hardware

Item Number	Note	Part Number	Description	Quantity Per	
				Package	Assembly
1		1150900-NLA	NLA - Tube, Slide, Seat Height Adjustment, Rear - CGT	1	2
2		1146195-NLA	NLA - Tube, Slide, Seat Height Adjustment, Front - CGT	1	2
3	A	1150902-NLA	NLA - Kit, CG Tilt Interface Mounting Hardware	1	1
4			Screw, Socket Head (3/8-16 x 1")	1	2
5			Washer, Lock (3/8")	1	2
6			Washer, Plain (1/4 x 9/16 x 1/16")	1	2
7			Screw, Hex Head (5/16-18 x 1")	1	2
8			Washer, Steel (11/32 x 11/16 x 1/16")	1	6
9			Locknut (5/16-18)	1	4
10			Screw, Socket Head (5/16-18 x 1-1/2")	1	4
11			Locknut (5/16-18)	1	2

NOTE: A - Includes items 4-11