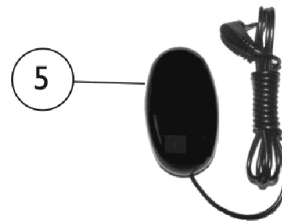
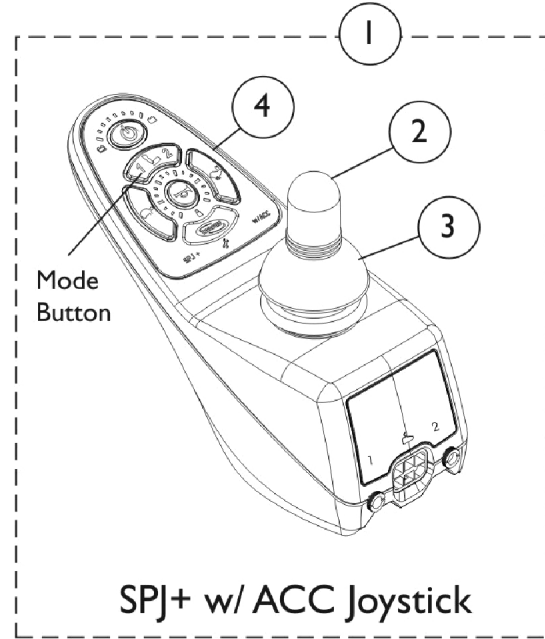
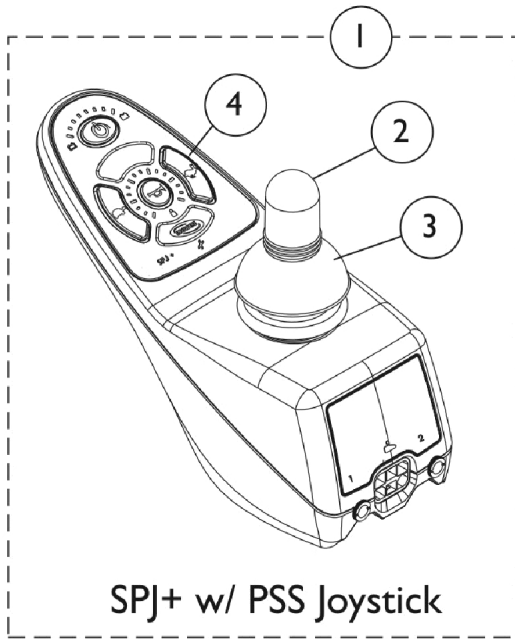
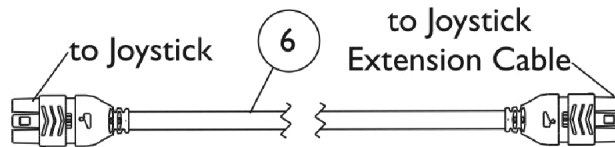


Joystick, Joystick Cables & Reset Switch

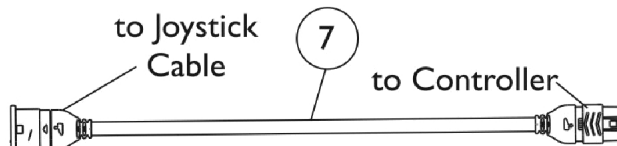
SPJ+ w/ PSS (SPJAP) and SPJ+ w/ ACC (SPJAPM)



EGSBLK Egg Switch



Joystick Cable



Joystick Extension Cable

Joystick, Joystick Cables & Reset Switch SPJ+ w/ PSS (SPJAP) and SPJ+ w/ ACC (SPJAPM)

Item Number	Note	Part Number	Description	Quantity Per	
				Package	Assembly
1	A,D	1136937	Joystick, MK6 SPJ+ with PSS (SPJAP)	1	1
1	A,D	1136938	Joystick, MK6i SPJ+ with ACC (SPJAPM)	1	1
1	A,D	1136938E	WARR RPLMT - Joystick, MK6i SPJ+ with ACC (SPJAPM)	1	1
1	A,C,D	1127289-NLA	NLA - Joystick, MK5/MK6i SPJ+ w/ ACC	1	1
2		1040217	Knob, Joystick Rubber, Black	1	1
3		1040218	Skirt, Joystick Rubber, Black	1	1
4		1165092	Kit, Overlay, SPJ+ w/ PSS Joystick, MK6	1	1
			Overlay, SPJ+ w/PSS Joystick	1	1
			Instruction Sheet, MK5/MK6 Overlay	1	1
4		1165093	NLA - Kit, Overlay, SPJ+ w/ ACC Joystick, MK5/MK6	1	1
			Overlay, SPJ+ w/ACC Joystick	1	1
			Instruction Sheet, MK5/MK6 Overlay	1	1
5		1123276	Kit, Switch, Black Egg Reset w/ Hook/Loop Adhesive Back Fastener & Attaching Screws (EGSBLK)	1	1
6		1127293	Cable, Joystick SPJ+	1	1
7		1116404	Cable, Joystick Extension	1	1
	B	1006270	Extension, Joystick, "T" Style (1560) (4" W x 5-1/2" L)	1	1
	B	1006271	Extension, Joystick, Straight Style (1561) (1/2" W x 5" L)	1	1

NOTE: A - Includes the Joystick and items 2-4 also.
B - Not Shown
C - After 10/15/06 part#1127289 J/S was revised to function MK5 & MK6i applications and phono ports were added also.
D - Before replacing your joystick, verify with Invacare Technical Service Phone Support first to see if only a Joystick Overlay Kit is needed