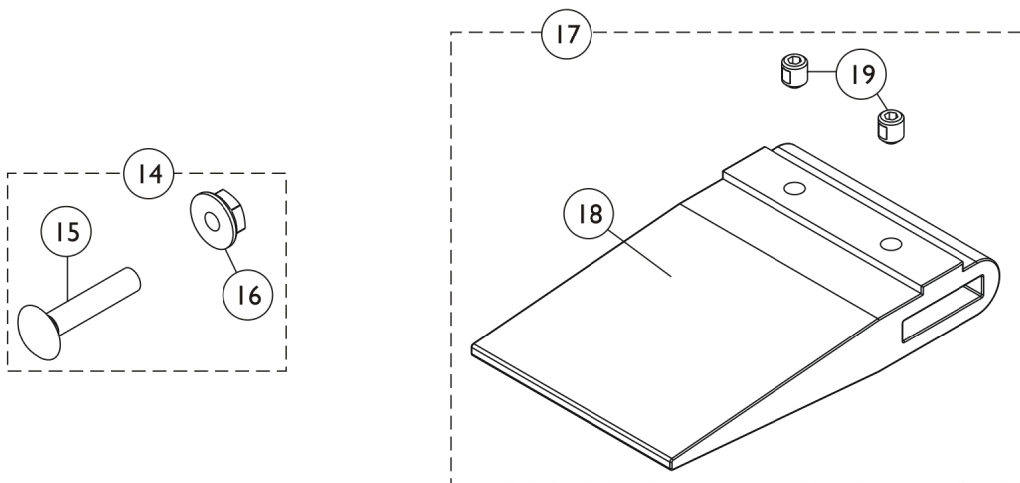
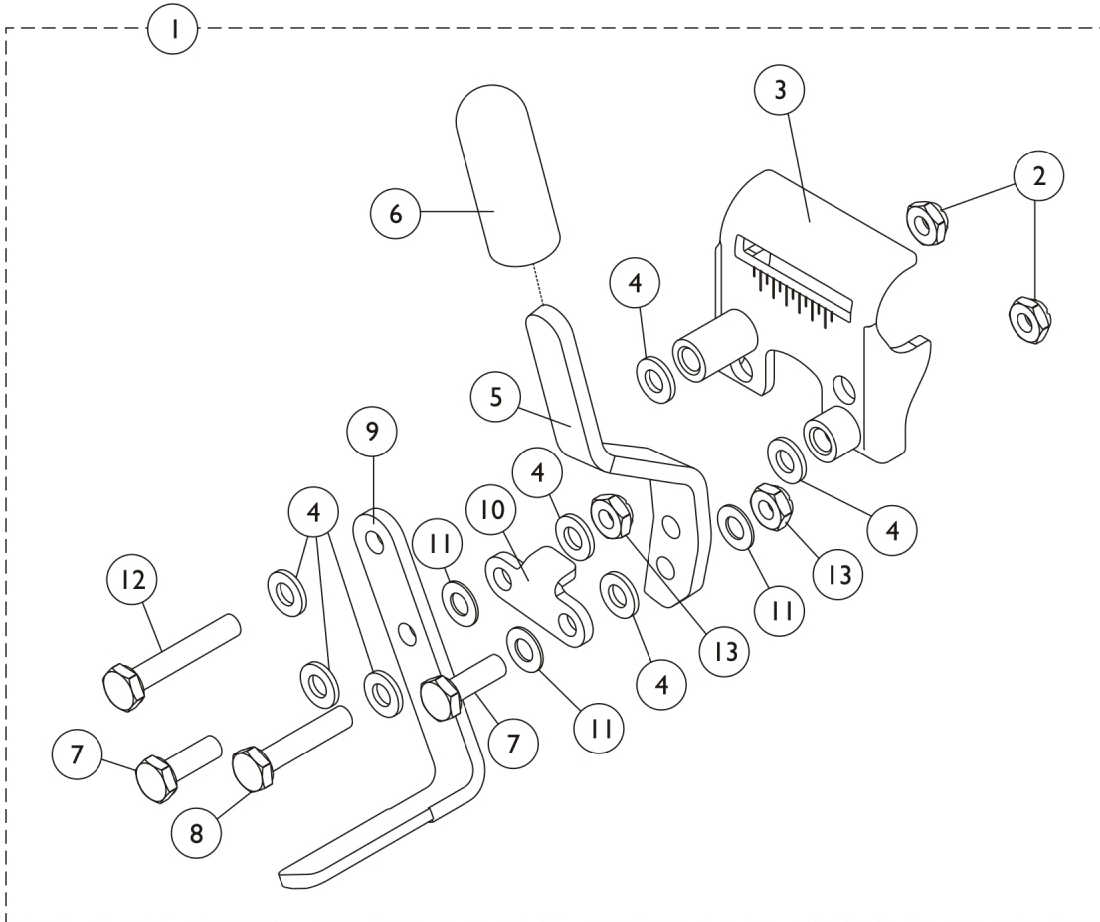


Link-Pivot Style Wheel Locks (After 4/14/07)

NOTE: Due to the possibility of various manufacturing dates for Tracer IV Wheelchairs built with a serial # starting with "03H" or "03I", replacement parts will need to be ordered thru an Invacare Parts Specialist at 1-800-333-6900.



Link-Pivot Style Wheel Locks (After 4/14/07)

NOTE: Due to the possibility of various manufacturing dates for Tracer IV Wheelchairs built with a serial # starting with "03H" or "03I", replacement parts will need to be ordered thru an Invacare Parts Specialist at 1-800-333-6900.

Item Number	Note	Part Number	Description	Quantity Per	
				Package	Assembly
1	A,G	1101452	Wheel Lock Assembly, Push to Lock, Black - Right	1	1
1	A,G	1101453	Wheel Lock Assembly, Push to Lock, Black - Left	1	1
1	A,H	1101454	Wheel Lock Assembly, Pull to Lock, Black - Right	1	1
1	A,H	1101455	Wheel Lock Assembly, Pull to Lock, Black - Left	1	1
2		1025195	Locknut (1/4-20)	1	2
3		1053284	Bracket, Mounting, Black - Right	1	1
3		1053285	Bracket, Mounting, Black - Left	1	1
4		1026033	Washer, Nylon (1/4 x 1/2 x 1/16")	1	7
5		1031780-NLA	NLA - Handle, Pull/ Lock, Black - Right	1	1
5		1031781-NLA	NLA - Handle, Pull/ Lock, Black - Left	1	1
5		1102134	Handle, Push/ Lock, Black - Right	1	1
5		1102135	Handle, Push/ Lock, Black - Left	1	1
6		47376X024	Tip, Rubber Wheel Lock Handle, Black	1	1
7		1028687	Screw, Hex Head (1/4-28 x 3/4")	1	2
8		1021406	Screw, Hex Head (1/4-20 x 1-1/4")	1	1
9		1102133	Shoe, Wheel Lock	1	1
10		1102132-NLA	NLA - Link, Black	1	1
11		1026103-NLA	NLA - Washer, Nylon (1/4 x 1/2 x 1/32")	1	3
12		1030949	Screw, Hex Head (1/4-20 x 1-1/2")	1	1
13		1025765	Locknut (1/4-28)	1	2
14	E	1017677	Kit, Hardware, Wheel Lock (Pair)	1	1
15			Bolt, Carriage (1/4-20 x 1-1/4")	1	2
16			Nut, Hex Flang (1/4-20)	1	2
17	B,C	1067279	Kit, Wheel Lock Shoe Spacer	1	1
18			Spacer, Wheel Lock Shoe (2-7/16")	1	1
19			Screw, Set Socket Cup Point (#8-32 x 3/16")	1	2
17	C,D	1048656	Kit, Wheel Lock Shoe Spacer	1	1
18			Spacer, Wheel Lock Shoe (1-45/64")	1	1
19			Screw, Set Socket Cup Point (#8-32 x 3/16")	1	2
	F	1058900	Wheel Lock Extension Handle Assembly, Black (8")	1	1

NOTE: A - Includes items 2-13.
 B - Required for Chairs with 20" Rear Wheels and Amputee Attachments or SX5 Recliners with 24" Rear Wheels.
 C - Includes items 15-16.
 D - Required for Chairs with 20" Rear Wheels (no Amputee Attachments) or 22" Rear Wheels with Amputee Attachments.
 E - Includes items 18 and 19.
 F - Not shown. Includes: 1 each Extension Handle and Rubber Tip. Chrome is No Longer Available.
 G - Standard on Adult Seat to Floor models
 H - Standard on Hemi Seat to Floor models