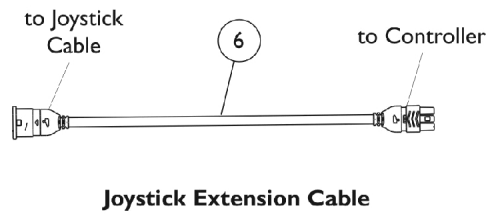
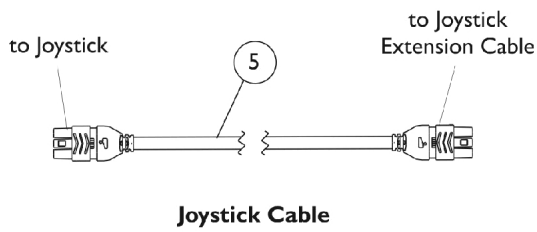
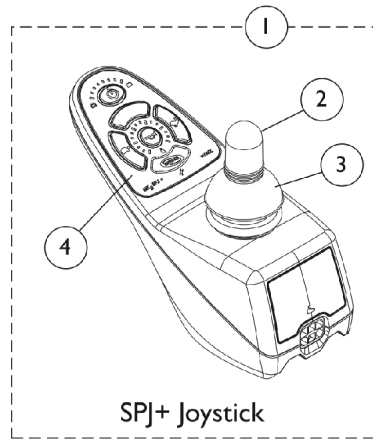


Joystick & Joystick Cables - SPJ+



Joystick & Joystick Cables - SPJ+

Item Number	Note	Part Number	Description	Quantity Per	
				Package	Assembly
1	A,C	1127291	Joystick, SPJ+	1	1
2		1040217	Knob, Joystick Rubber, Black	1	1
3		1040218	Skirt, Joystick Rubber, Black	1	1
4		1165094	Kit, Overlay, SPJ+ Joystick (MK5/MK6)	1	1
			NLA - Overlay, SPJ+ Joystick	1	1
			Instruction Sheet, MK5/MK6 Overlay	1	1
5		1127293	Cable, Joystick SPJ+	1	1
6		1116404	Cable, Joystick Extension	1	1
	B	1006270	Extension, Joystick, "T" Style (1560) (4" W x 5-1/2" L)	1	1
	B	1006271	Extension, Joystick, Straight Style (1561) (1/2" W x 5" L)	1	1

NOTE: A - Includes the Joystick and items 2-4.
 B - Not Shown
 C - Before replacing your joystick, verify with Invacare Technical Service Phone Support first to see if only a Joystick Overlay Kit is needed