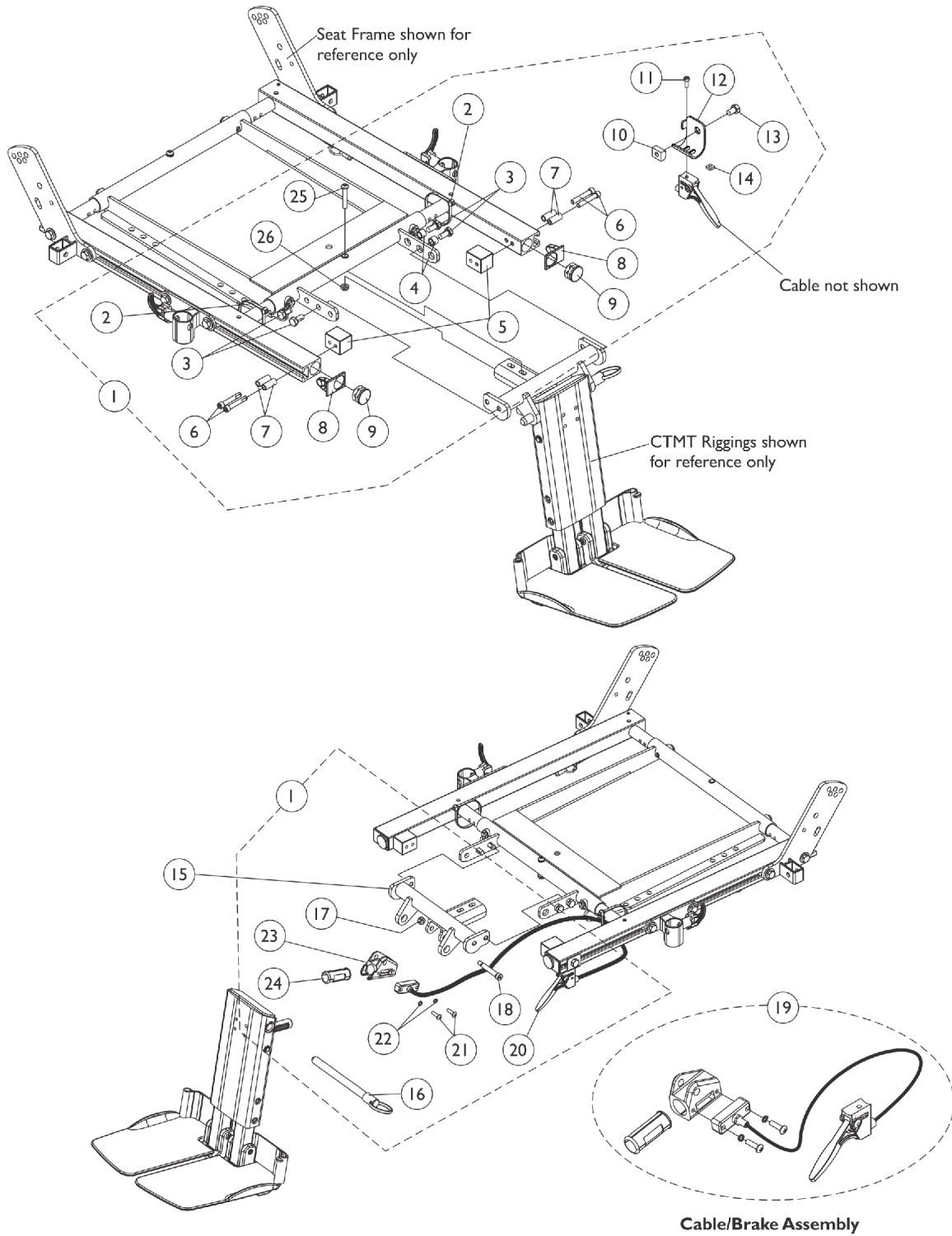


# Center Mount Rigging Mounting Hardware (CTMT-F/CTMT-FJ) (16"-20" Wide) Chairs with ADJASBA Seats



# Center Mount Rigging Mounting Hardware (CTMT-F/CTMT-FJ) (16"-20" Wide) Chairs with ADJASBA Seats

Item Number	Note	Part Number	Description	Quantity Per	
				Package	Assembly
1	A	1124701	Kit, CTMT-F/CTMT-FL/CTMT-FJ Center Mount Rigging Mounting Hardware	1	1
2			Tie Wrap (11-1/2" L)	1	2
3			Screw, Hex Head w/ Patch (5/16-18 x 5/8")	1	4
4			Spacer (5/16 x 7/16 x 3/8")	1	2
5			Block, Threaded	1	2
6			Screw, Socket Head Cap w/ Patch (1/4-20 x 1-1/2")	1	4
7			Spacer (1/4 x 3/8 x 29/32")	1	4
8			Cap, End, Side Rail, Black	1	2
9			Plug Button, Black (1")	1	2
10			T-Nut (5/16-18)	1	1
11			NLA - Screw, Socket Head (#10-32 x 1/2")	1	1
12			Bracket, Release Handle Mounting, Black	1	1
13			NLA - Screw, Hex Head w/ Patch (5/16-18 x 1/2")	1	1
14			Nut, Square (#10-32)	1	1
16			NLA - Pin, Quick Release (5" Long)	1	1
17			Locknut (1/4-20)	1	1
18			Screw, Shoulder Hex Socket Head (5/16" x 1-5/8", 1/4-20)	1	1
20			Cable/Brake Assembly	1	1
21			Screw, Phillips Pan Head (#10-32 x 11/16")	1	2
22			NLA - Washer, Lock (3/16 x 5/16 x 1/32")	1	2
23			Housing, Ratchet	1	1
24			Bearing, Glide	1	1
25			Screw, Socket Button Head (1/4-20 x 1-1/2")	1	1
26			Locknut (1/4-20)	1	1
15	C	1122675	Support, Center Mount Rigging, Black (16 - 19" D)	1	1
15	D	1136001	Support, Center Mount Rigging, Long, Black (19 - 22" D)	1	1
19	B	1121079	Cable/Brake Assembly w/ Ratchet Housing and Glide Bearing	1	1
20		1113622	Cable/Brake Assembly	1	1
21		40163X008	Screw, Phillips Pan Head (#10-32 x 11/16")	1	2
22		1028527-NLA	NLA - Washer, Lock (3/16 x 5/16 x 1/32")	1	2
23		1113389	Housing, Ratchet	1	1
24		1113383	Bearing, Glide	1	1

NOTE: A - Includes items 2-14, 16-18 and 20-26  
B - Includes items 20-24  
C - Support used for 16"-19" deep seats  
D - Support used for 19"-20" deep seats. TDX SC models extend to 20" deep only