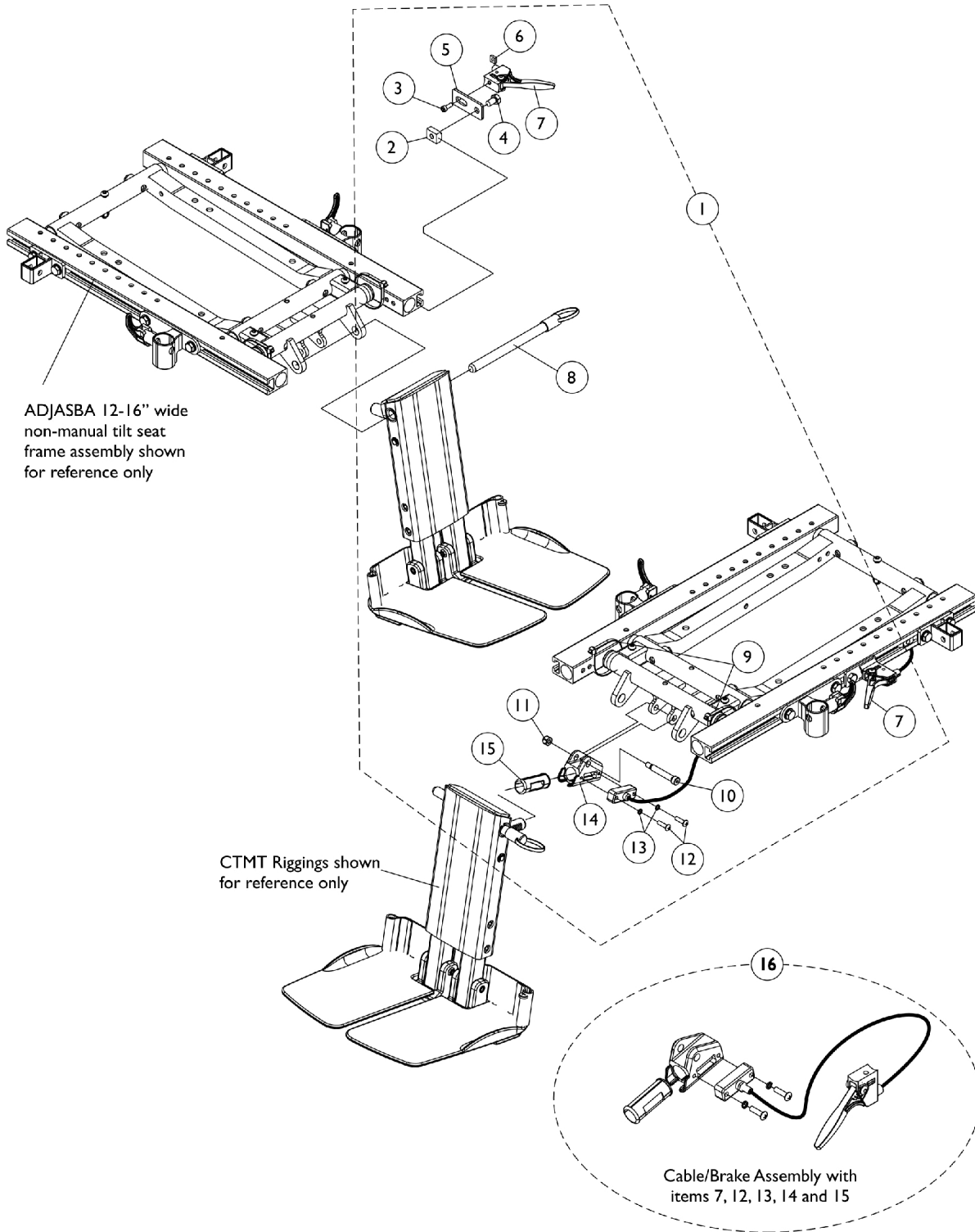


# Center Mount Rigging Mounting Hardware (CTMT-F/CTMT-FJ) (12"-16" Wide) Non-Manual Tilt Chairs with ADJASBA Seats



**Center Mount Rigging Mounting Hardware  
(CTMT-F/CTMT-FJ)  
(12"-16" Wide) Non-Manual Tilt Chairs with ADJASBA Seats**

Item Number	Note	Part Number	Description	Quantity Per	
				Package	Assembly
1	A	1135960	Kit, Center Mount Rigging Mounting Hardware	1	1
2			T-Nut (5/16-18)	1	1
3			NLA - Screw, Socket Head (#10-32 x 1/2")	1	1
4			NLA - Screw, Hex Head w/ Patch (5/16-18 x 1/2")	1	1
5			Bracket, Release Handle Mounting, Black	1	1
6			Nut, Square (#10-32)	1	1
7			Cable/Brake Assembly	1	1
8			NLA - Pin, Quick Release (5" Long)	1	1
9			Tie Wrap (11-1/2" L)	1	2
10			Screw, Shoulder Hex Socket Head (5/16" x 1-5/8", 1/4-20)	1	1
11			Locknut (1/4-20)	1	1
12			Screw, Phillips Pan Head (#10-32 x 11/16")	1	2
13			NLA - Washer, Lock (3/16 x 5/16 x 1/32")	1	2
14			Housing, Ratchet	1	1
15			Bearing, Glide	1	1
16	B	1121079	Cable/Brake Assembly w/ Ratchet Housing and Glide Bearing	1	1

NOTE: A - Includes items 2-15  
B - Includes items 7, 12, 13, 14 and 15