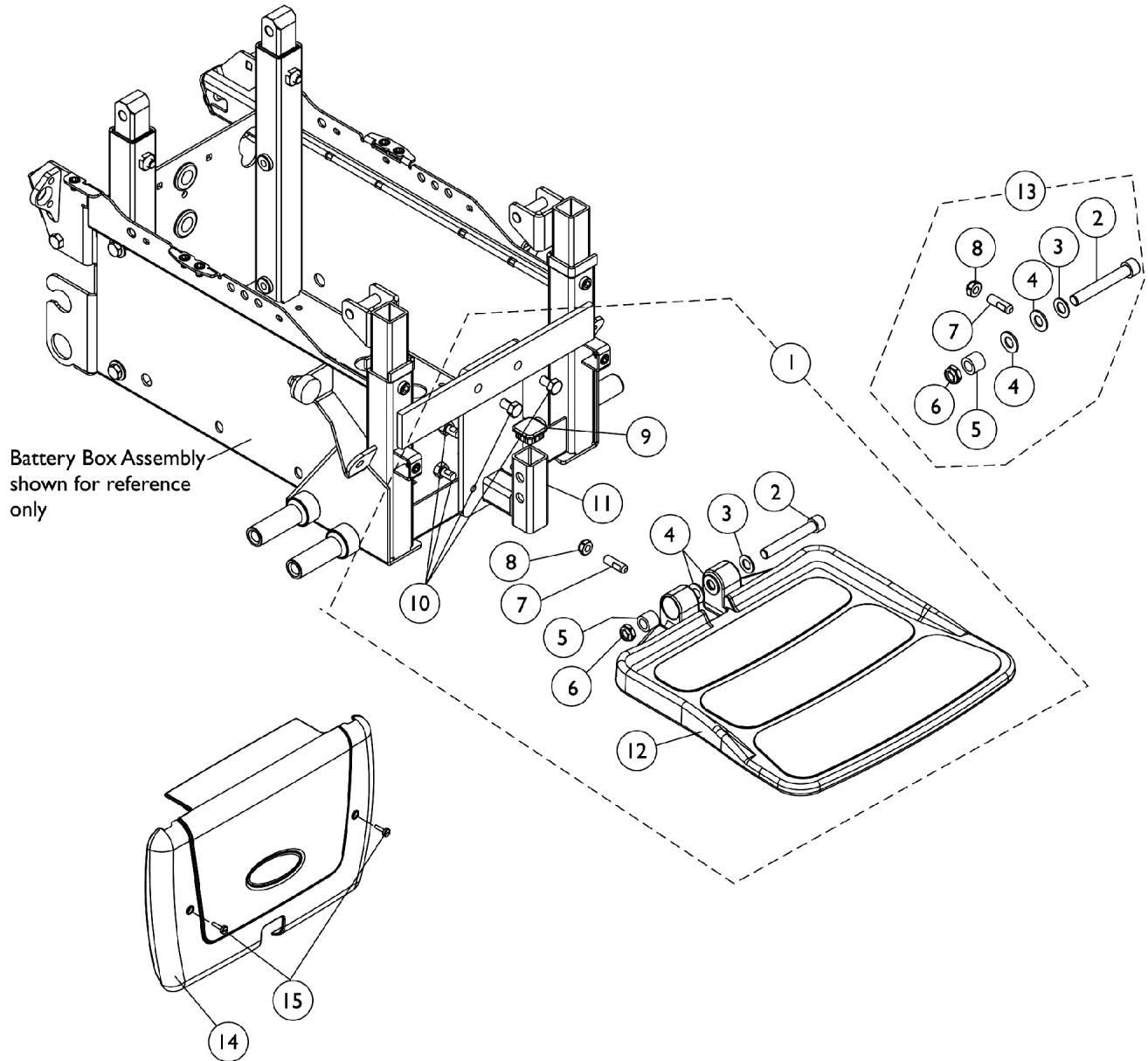


90FB Flip-Up Removable Footboard Assembly For TDX SC Van Seat and ADJASBA Seat



90FB Flip-Up Removable Footboard Assembly For TDX SC Van Seat and ADJASBA Seat

Item Number	Note	Part Number	Description	Quantity Per	
				Package	Assembly
1	A	1151904-NLA	NLA - Kit, 90FB Footboard Assembly	1	1
2			Screw, Socket Head (3/8-16 x 2-1/2")	1	1
3			Washer, Flat (3/8 x 11/16 x 1/16")	1	1
4			Washer, Nylon (3/8 x 3/4 x 1/16")	1	2
5			Bushing (3/8 x 5/8 x 1/2")	1	1
6			Locknut, Low Profile (3/8-16)	1	1
7			Screw, Set Socket Flat Point (5/16-18 x 1")	1	1
8			Locknut (5/16-18)	1	1
9			Plug Button, Black (1" Square)	1	1
10			NLA - Screw, Hex Head w/ Patch (5/16-18 x 1/2")	1	4
11			Bracket, Footboard Mounting	1	1
12			Footboard w/ Cover (11-1/4" W x 11-1/2" L)	1	1
12		1114311	Footboard w/ Cover (11-1/4" W x 11-1/2" L)	1	1
13	B	1147134	Kit, Footboard Mounting Hardware	1	1
2			Screw, Socket Head (3/8-16 x 2-1/2")	1	1
3			Washer, Flat (3/8 x 11/16 x 1/16")	1	1
4			Washer, Nylon (3/8 x 3/4 x 1/16")	1	2
5			Bushing (3/8 x 5/8 x 1/2")	1	1
6			Locknut, Low Profile (3/8-16)	1	1
7			Screw, Set Socket Flat Point (5/16-18 x 1")	1	1
8			Locknut (5/16-18)	1	1
14		8881151621	Shroud with Decal, Notched Front, Color	1	1
15		1151615-NLA	NLA - Screw, Thumb (10-32 x 7/8")	1	2
15		1152728	Package, Screw, Thumb (10-32 x 7/8")	10	1
	C	1029501	Plug Button, Black (1")	1	2
	C	1134425	Package, Plug Button, Black (1")	10	1

NOTE: A - Includes items 2-12. When ordering a 90FB Footboard in the field for the first time, item numbers 14, 15 and 2 ea. of part # 1029501 Plug Buttons for the Van Seat Frame are required as well.
B - Includes items 2-8
C - Not Shown. Plug Buttons are used for the Van Seat Frame when converting to a 90FB Footboard for the first time in the field