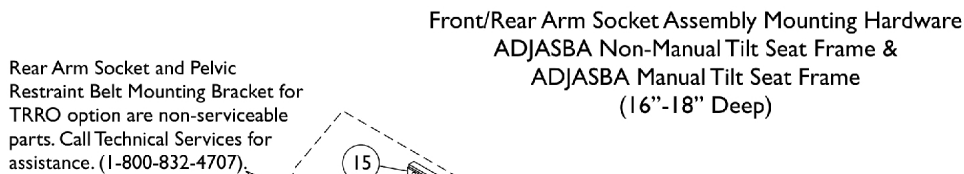
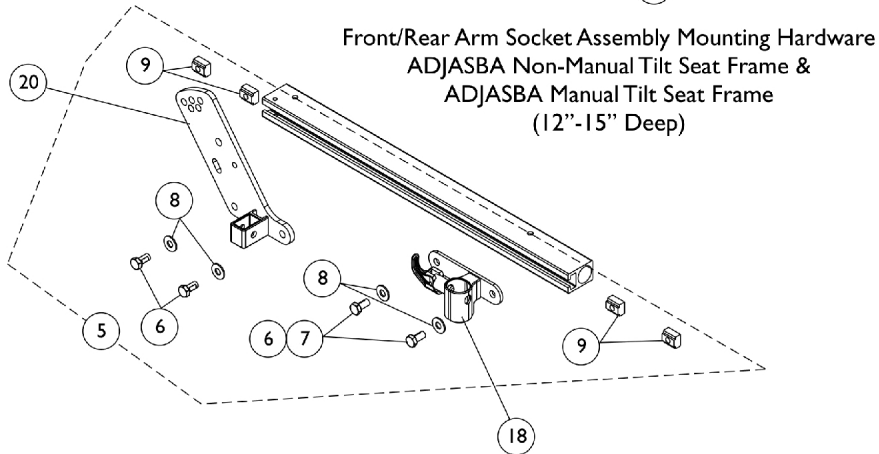
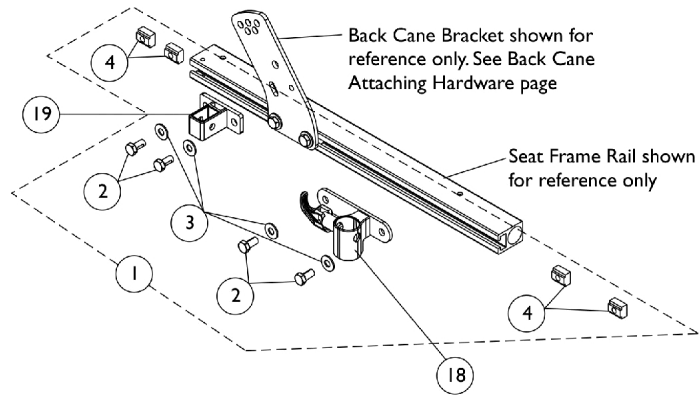
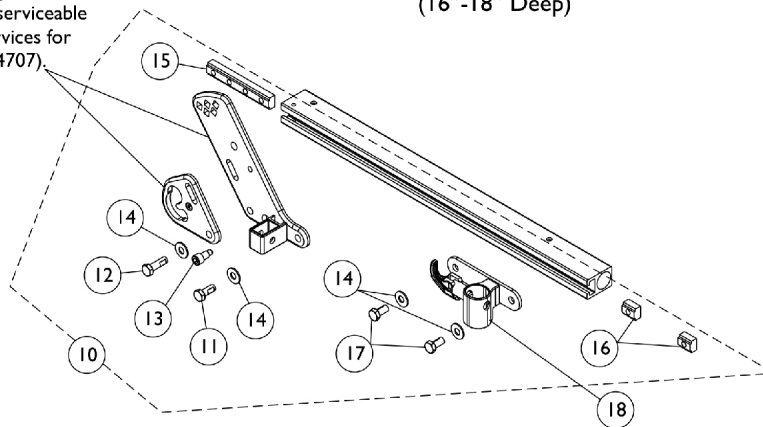


# Front/Rear Arm Socket Assembly and Hardware (12"-16" Wide) TDX SPREE

Refer to page titled "Back Cane Attaching Hardware For ADJASBA Seats (12"-16" Wide)" for replacing the Back Cane Bracket for chairs with T-Arms



Rear Arm Socket and Pelvic Restraint Belt Mounting Bracket for TRRO option are non-serviceable parts. Call Technical Services for assistance. (1-800-832-4707)



Front/Rear Arm Socket Assembly Mounting Hardware  
ADJASBA Non-Manual Tilt Seat Frame &  
ADJASBA Manual Tilt Seat Frame  
(16"-18" Deep TRRO option only)

# Front/Rear Arm Socket Assembly and Hardware (12"-16" Wide) TDX SPREE

Refer to page titled "Back Cane Attaching Hardware For ADJASBA Seats (12"-16" Wide)" for replacing the Back Cane Bracket for chairs with T-Arms

Item Number	Note	Part Number	Description	Quantity Per	
				Package	Assembly
1	A	1144596	Kit, Front/Rear Arm Socket Asbly. Mtg. Hdwr. (12-16" Wide)	1	1
2			Screw, Hex Head w/ Patch (5/16-18 x 5/8")	1	4
3			Washer, Steel (5/16 x 3/4 x 1/16")	1	4
4			T-Nut (5/16-18)	1	4
5	B	1125734	Kit, Front/Rear Arm Socket Assembly Mounting Hardware	1	1
6			Screw, Hex Head w/ Patch (5/16-18 x 5/8")	1	2
7			Screw, Hex Head w/ Patch (5/16-18 x 3/4")	1	2
8			Washer, Steel (5/16 x 3/4 x 1/16")	1	4
9			T-Nut (5/16-18)	1	4
5	C	1144596	Kit, Front/Rear Arm Socket Asbly. Mtg. Hdwr. (12-16" Wide)	1	1
6			Screw, Hex Head w/ Patch (5/16-18 x 5/8")	1	4
8			Washer, Steel (5/16 x 3/4 x 1/16")	1	4
9			T-Nut (5/16-18)	1	4
10	D	1136025-NLA	NLA - Kit, Front/Rear Arm Socket Assembly Mounting Hardware For TRRO Option	1	1
11			Screw, Hex Head w/ Patch (5/16-18 x 3/4")	1	1
12			NLA - Screw, Hex Head w/ Patch (5/16-18 x 1")	1	1
13			Screw, Socket Head (5/16-18 x 3/4")	1	1
14			Washer, Steel (5/16 x 3/4 x 1/16")	1	4
15			T-Nut (5/16-18)	1	1
16			T-Nut (5/16-18)	1	2
17			Screw, Hex Head w/ Patch (5/16-18 x 5/8")	1	2
18		1122619	Socket, Arm, Front - Right	1	1
18		1122620	Socket, Arm, Front - Left	1	1
19		1126142	Socket, Arm, Rear	1	1
20		1125478	Bracket, Arm Socket/Cane, Rear - Right	1	1
20		1125479	Bracket, Arm Socket/Cane, Rear - Left	1	1

NOTE: A - Includes items 2-4. Used for both (12"-15" Deep) ADJASBA Non-Manual Tilt Seat Frame and ADJASBA Manual Tilt Seat Frame.  
B - Includes items 6-9. Used for (16"-18" Deep) ADJASBA Non-Manual Tilt Seat Frame  
C - Includes items 6-8. Used for (16"-18" Deep) ADJASBA Manual Tilt Seat Frame  
D - Includes items 11-16. Used for TRRO option on both (16"-18" Deep) ADJASBA Non-Manual Tilt Seat Frame and ADJASBA Manual Tilt Seat Frame.