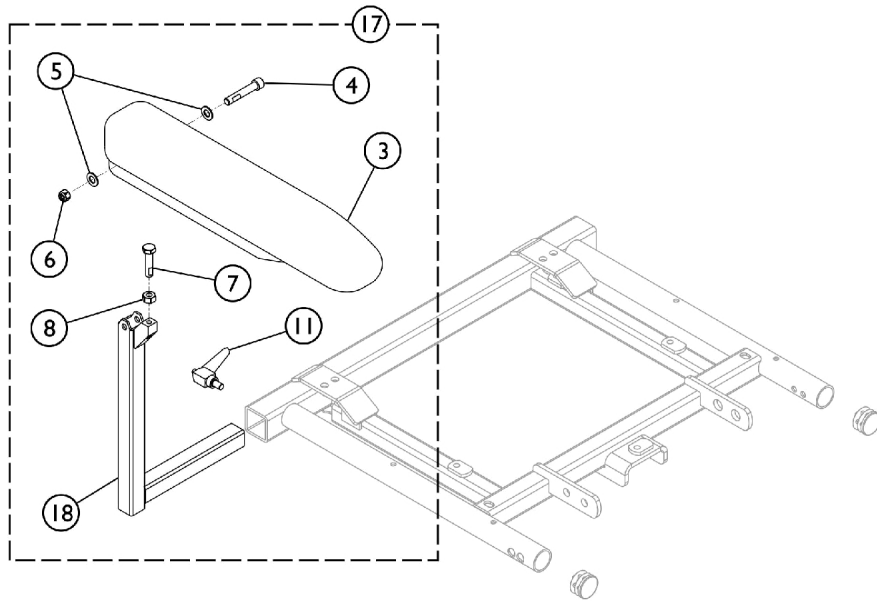
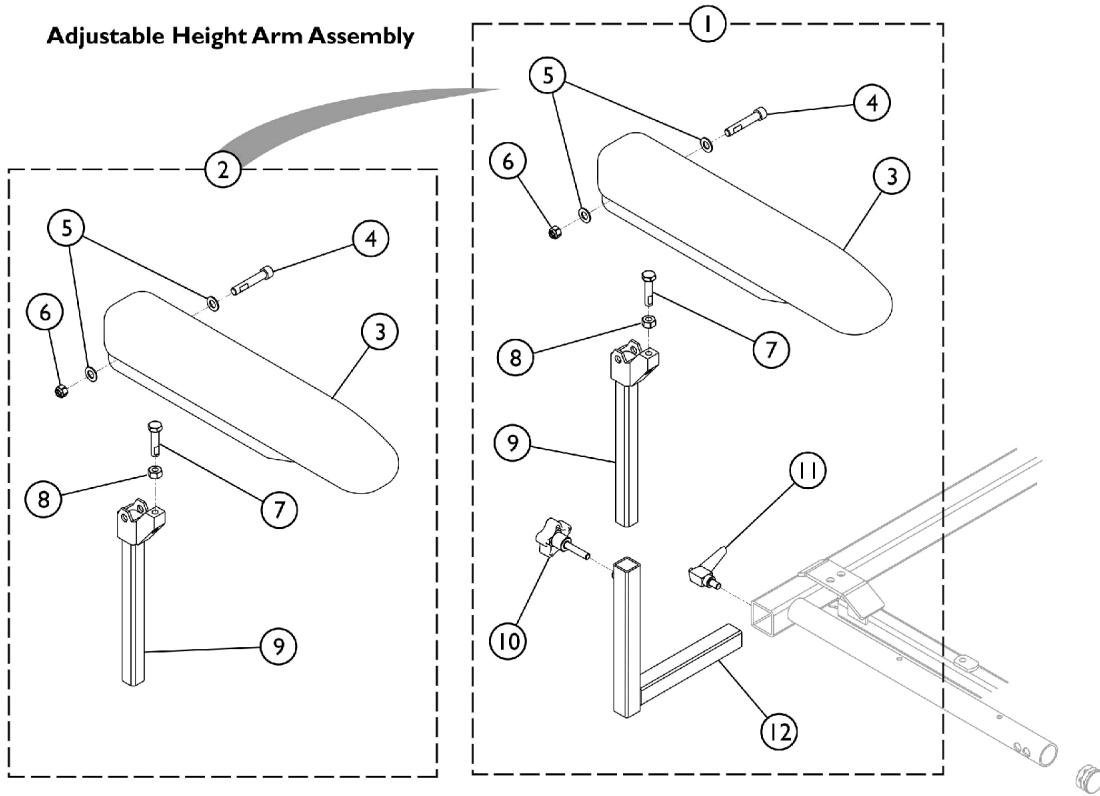


Van Seat Arms

TDX SC

Adjustable Height Arm Assembly



Fixed Height Arm Assembly

Van Seat Arms TDX SC

Item Number	Note	Part Number	Description	Quantity Per	
				Package	Assembly
1	A	1142476	Arm Assembly, Adjustable Height Full Length, Black - Right	1	1
1	A	1142477	Arm Assembly, Adjustable Height Full Length, Black - Left	1	1
1	A	1142494	Arm Assembly, Adjustable Height Desk Length, Black - Right	1	1
1	A	1142495	Arm Assembly, Adjustable Height Desk Length, Black - Left	1	1
2	B	1142487	Upper Arm Assembly, Desk Length (Right/Left)	1	1
3			Arm Pad, Desk Length, Black Urethane (12-1/4" L x 2-5/8" W)	1	1
4			Screw, Socket Head w/ Patch (5/16-18 x 1-3/4")	1	1
5			Washer, Flat (5/16 x 5/8 x 1/16")	1	2
6			Locknut (5/16-18)	1	1
7			Screw, Hex Head w/ Patch (5/16-18 x 1-1/4")	1	1
8			NLA - Nut, Hex (5/16-18)	1	1
9			Tube, Arm, Upper Adjustable Height, Black	1	1
2	B	1140426	Upper Arm Assembly, Full Length (Right/Left)	1	1
3			Arm Pad, Full Length, Urethane, Black (15" L x 2-5/8" W)	1	1
4			Screw, Socket Head w/ Patch (5/16-18 x 1-3/4")	1	1
5			Washer, Flat (5/16 x 5/8 x 1/16")	1	2
6			Locknut (5/16-18)	1	1
7			Screw, Hex Head w/ Patch (5/16-18 x 1-1/4")	1	1
8			NLA - Nut, Hex (5/16-18)	1	1
9			Tube, Arm, Upper Adjustable Height, Black	1	1
3		1139923	Arm Pad, Desk Length, Black Urethane (12-1/4" L x 2-5/8" W)	1	1
3		1139924	Arm Pad, Full Length, Urethane, Black (15" L x 2-5/8" W)	1	1
10		1114910	Knob, Adjustment, Black (5/16-18 x 3/4")	1	1
11		1114914	Handle, Release, Black (5/16-18 x 1/2")	1	1
12		1113646	Tube, Arm, Lower Adjustable Width, Black - Right	1	1
12		1113647	Tube, Arm, Lower Adjustable Width, Black - Left	1	1
17	C	1142490	Arm Assembly, Fixed Height Desk Length, Black - Right	1	1
17	C	1142491	Arm Assembly, Fixed Height Desk Length, Black - Left	1	1
17	C	1142485	Arm Assembly, Fixed Height Full Length, Black - Right	1	1
17	C	1142484	Arm Assembly, Fixed Height Full Length, Black - Left	1	1
18		1114359-NLA	NLA - Tube, Arm, Fixed Height, Black - Right	1	1
18		1114797-NLA	NLA - Tube, Arm, Fixed Height, Black - Left	1	1

NOTE: A - Includes items 2 - 12.
 B - Includes items 3 - 9.
 C - Includes items 3 - 8, 11, and item 18.