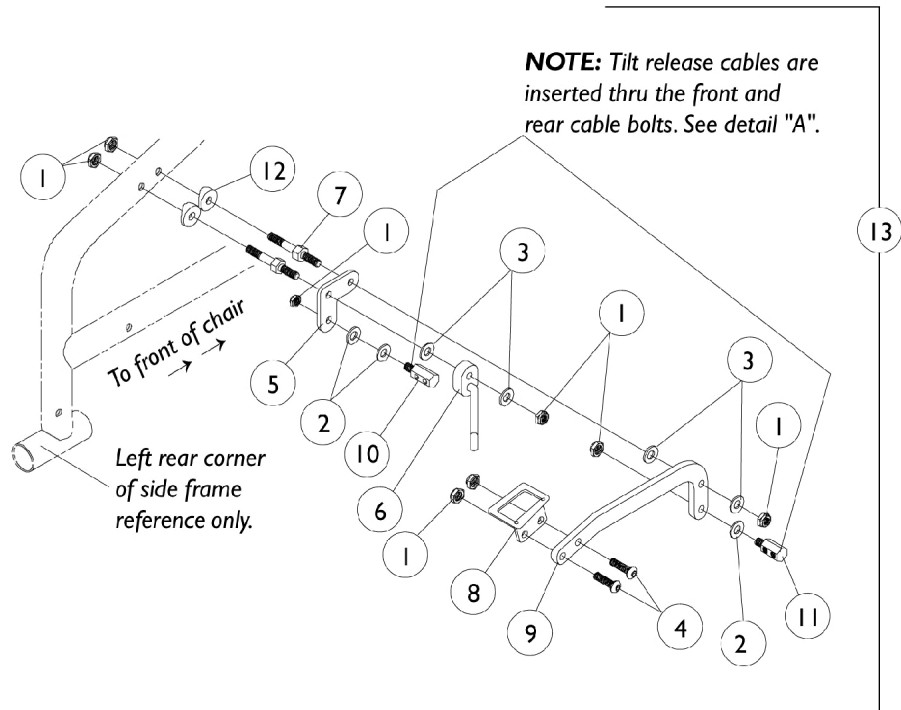
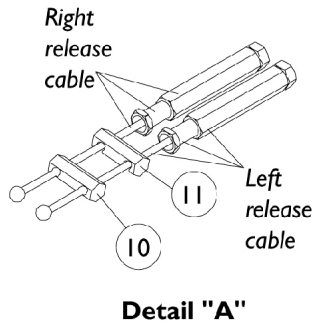


# Orbit Seat Option Foot Pedal Release Assembly



## Orbit Seat Option Foot Pedal Release Assembly

| Item Number | Note | Part Number | Description                                     | Quantity Per |          |
|-------------|------|-------------|---|--------------|----------|
|             |      |             |   | Package      | Assembly |
| 1           |      | 7930334-NLA | NLA - Locknut (1/4-28)                          | 25           | 2        |
| 2           |      | 1026907     | Washer (1/4 x 1/2 x 1/16")                      | 1            | 4        |
| 3           |      | 1026103     | Washer, Nylon (1/4 x 1/2 x 1/32")               | 1            | 4        |
| 4           |      | 1055305-NLA | NLA - Screw, Socket Button Head (1/4-28 x 3/4") | 1            | 2        |
| 5           |      | 1072026-NLA | NLA - Plate, Mounting                           | 1            | 1        |
| 6           |      | 1076398-NLA | NLA - Foot Lever Lock Assembly, Black           | 1            | 1        |
| 7           |      | 1083458-NLA | NLA - Pin, Locking                              | 1            | 2        |
| 8           |      | 1072025-NLA | NLA - Pedal, Foot, Black                        | 1            | 1        |
| 9           |      | 1072027-NLA | NLA - Bracket, Foot Pedal, Black                | 1            | 1        |
| 10          |      | 1082617-NLA | NLA - Bolt, Cable (Rear)                        | 1            | 1        |
| 11          |      | 1074778-NLA | NLA - Bolt, Cable (Front)                       | 1            | 1        |
| 12          |      | 1026099     | Spacer, Coved (1/4 x 11/16 x 1/2")              | 1            | 2        |
| 13          |      | 1071169-NLA | NLA - Tilt Foot Lever Assembly                  | 1            | 1        |
|             | A    | 1073876     | Cable, Tilt Release                             | 1            | 1        |
|             | A    | 1083061-NLA | NLA - Cable, Tilt - Left                        | 1            | 1        |

NOTE: A - Not Shown