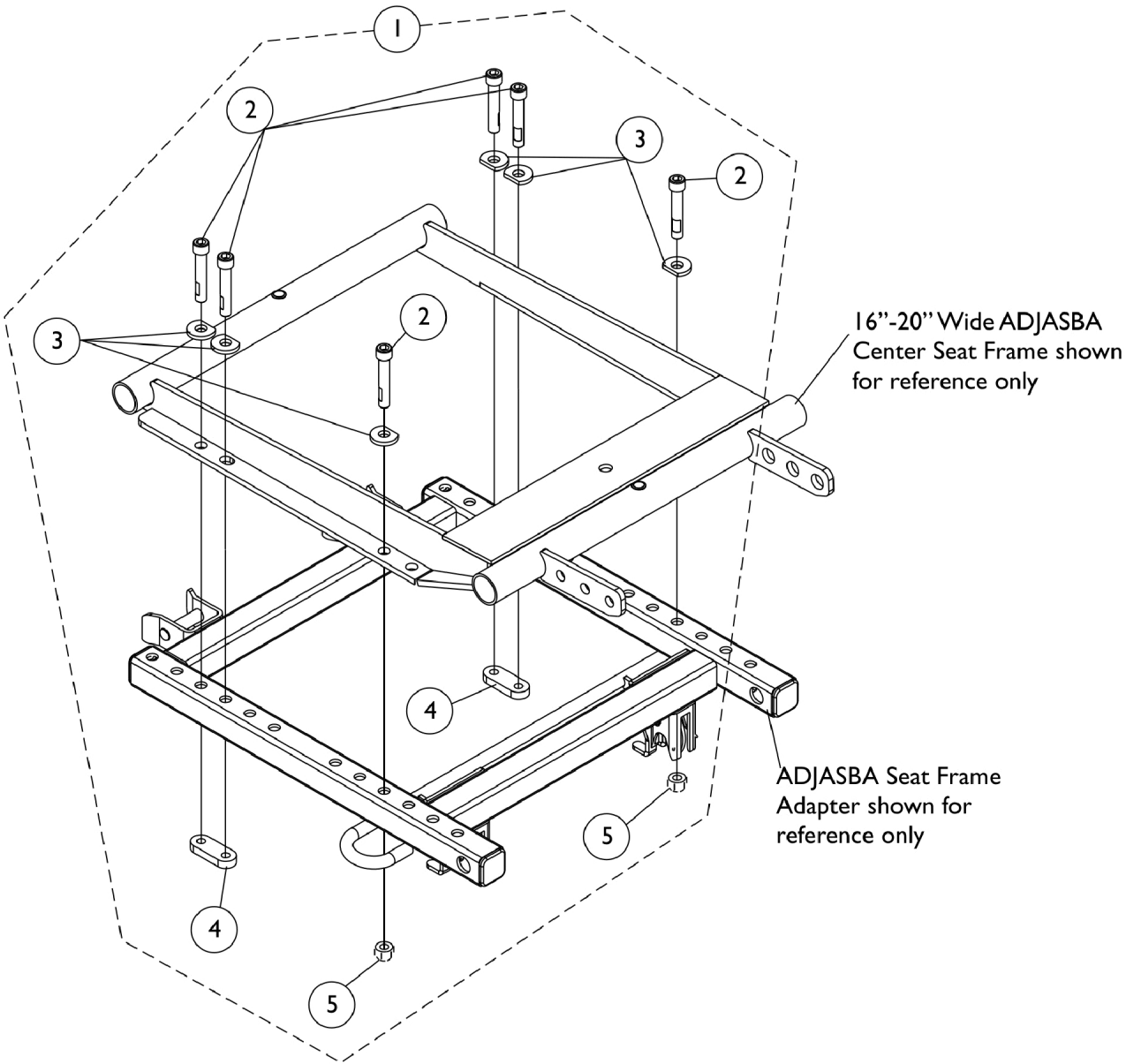


ADJASBA/ADJRECL Seat Frame Mounting Hardware (16"-20" Wide) Non-Elevate TDX SC



ADJASBA/ADJRECL Seat Frame Mounting Hardware (16"-20" Wide) Non-Elevate TDX SC

Item Number	Note	Part Number	Description	Quantity Per	
				Package	Assembly
1	A	1147961-NLA	NLA - Kit, Seat Frame Mounting Hardware 16"-20" Wide	1	1
2			Screw, Socket Head w/ Patch (5/16-18 x 1-3/4")	1	6
3			NLA - Washer, Ground (11/32 x 13/16 x 1/8")	1	6
4			NLA - Nut, Strap	1	2
5			Locknut (5/16-18)	1	2
NOTE: A - Includes items 2-5 and used for ADJASBA/ADJRECL Non-Elevate TDX SC models					