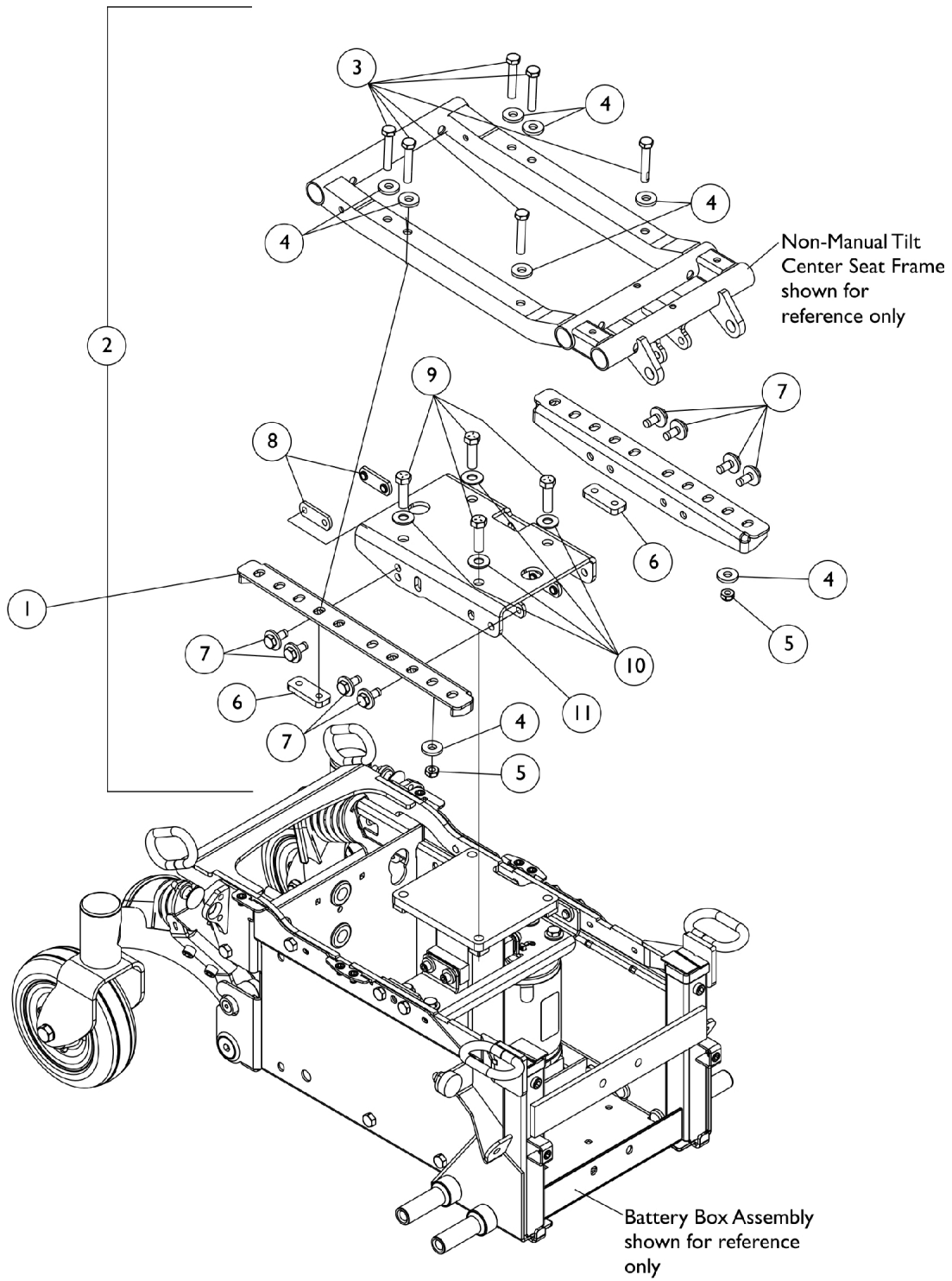


ADJASBA Seat Frame Mounting Hardware (12"-16" Wide) Non-Manual Tilt TDX SPREE



ADJASBA Seat Frame Mounting Hardware (12"-16" Wide) Non-Manual Tilt TDX SPREE

Item Number	Note	Part Number	Description	Quantity Per	
				Package	Assembly
1		1151880-NLA	NLA - Plate, Low Seat-To-Floor Mounting	1	2
1		1151881	Plate, Medium Seat-To-Floor Mounting	1	2
1		1151882	Plate, Tall Seat-To-Floor Mounting	1	2
2		1147966-NLA	NLA - Kit, Seat Frame Mounting Hardware (12"-16" Wide)	1	1
3			NLA - Screw, Hex Head w/ Patch (5/16-18 x 1-3/4")	1	6
4			Washer, Flat (21/64 x 53/64 x 7/64")	1	8
5			Locknut (5/16-18)	1	2
6			Plate, Nut (5/16-18)	1	2
7			Screw, Hex Head SEMS w/ Patch (5/16-18 x 3/4")	1	8
8			NLA - Nut, Weld (5/16-18 x 1-1/8" Spacing)	1	4
9			NLA - Screw, Hex Head (3/8-16 x 1-1/4")	1	4
10			NLA - Washer, Steel (3/8 x 7/8 x 1/16")	1	4
11			Bracket, Seat Frame Elevate Mounting	1	1
	B	1154118-NLA	NLA - Kit, Mounting Plate Hardware	1	1
7			Screw, Hex Head SEMS w/ Patch (5/16-18 x 3/4")	1	8
8			NLA - Nut, Weld (5/16-18 x 1-1/8" Spacing)	1	4

NOTE: B - Not Shown. Includes items 7 and 8