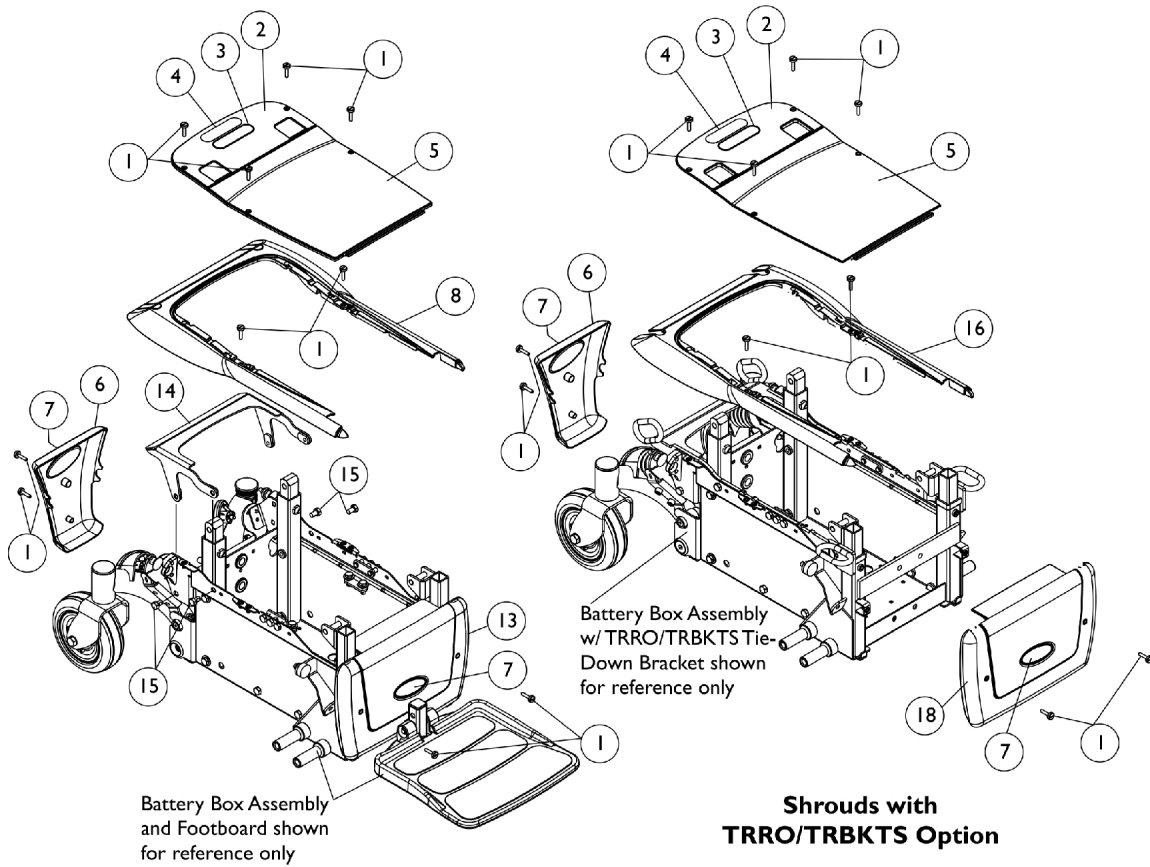


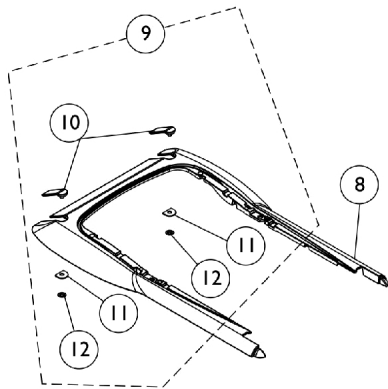
Shrouds and Hardware

TDX SC

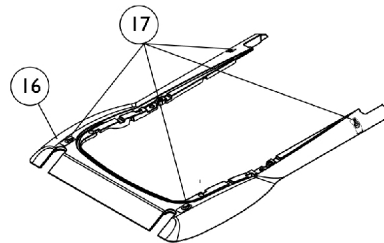


Shrouds with TRRO/TRBKTS Option

Shrouds without TRRO/TRBKTS Option

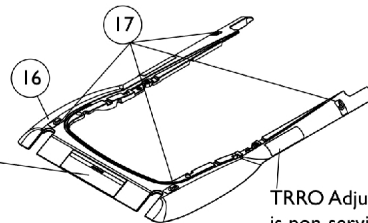


Top Filler Shroud Kit



Top Shroud with TRBKTS Option

WC19 Compliance Label for TDX SC is non-serviceable



TRRO Adjustment Label is non-serviceable

Top Shroud with TRRO Option

Shrouds and Hardware TDX SC

Item Number	Note	Part Number	Description	Quantity Per	
				Package	Assembly
1		1152728	Package, Screw, Thumb (10-32 x 7/8")	10	1
2	A	1152725	Shroud with Decals, Top Rear, Black	1	1
3		1119281-NLA	NLA - Plate, Name, Patent Numbers	1	1
4		1035900	Decal, Transportation	1	1
5		1152656	Shroud, Top Forward, Black	1	1
6	B	1149271	Shroud with Decals, Black - Rear	1	1
8	C,I	8881152727	Kit, Top Shroud Assembly, Color	1	1
			NLA - Shroud, Top, Color	1	1
10			Shroud, Top Filler, Black	1	2
11			Washer, D-Shaped (1/4 x 13/16 x 1/16")	1	2
12			Nut, Push (3/8")	1	2
9	D	1154116	Kit, Top Filler Shroud	1	1
10			Shroud, Top Filler, Black	1	2
11			Washer, D-Shaped (1/4 x 13/16 x 1/16")	1	2
12			Nut, Push (3/8")	1	2
13	E,I	8881151621	Shroud with Decal, Notched Front, Color	1	1
14		1152690-NLA	NLA - Bracket, Support	1	1
15		1061922-NLA	NLA - Screw, Hex Head w/ Patch (5/16-18 x 1/2")	1	4
16	F,I	8881154217	Shroud with Decals, Top, Color (TRBKTS Option)	1	1
16	G,I	8881153864	Shroud with Decals, Top, Color (TRRO Option For TDX SC)	1	1
17	J	1083199-NLA	NLA - Label, Hook Tie-Down	1	4
18	H,I	8881151619	Shroud with Decal, Color - Front	1	1

NOTE: A - Includes Shroud with items 3 and 4
 B - Includes Shroud with item 7. The controller is also covered by the Rear Shroud
 C - Includes Top Shroud with items 10-12
 D - Includes items 10-12
 E - Includes Shroud with item 7. Notched Front Shroud is used for a 90FB Footboard Assembly.
 F - Includes Shroud with item 17
 G - Includes Shroud with item 17 and WC 19 Compliance Label. Serial number of chair must be verified to ensure that TRRO option was originally ordered.
 H - Includes Shroud with item 7
 I - Specify frame color when ordering. See page titled "Frame Finishes, Touch-Up Paints and Upholstery Options".
 J - For TRRO/TRBKTS wheelchairs only

Item #7 Reflective Decal is not available for sale individually.