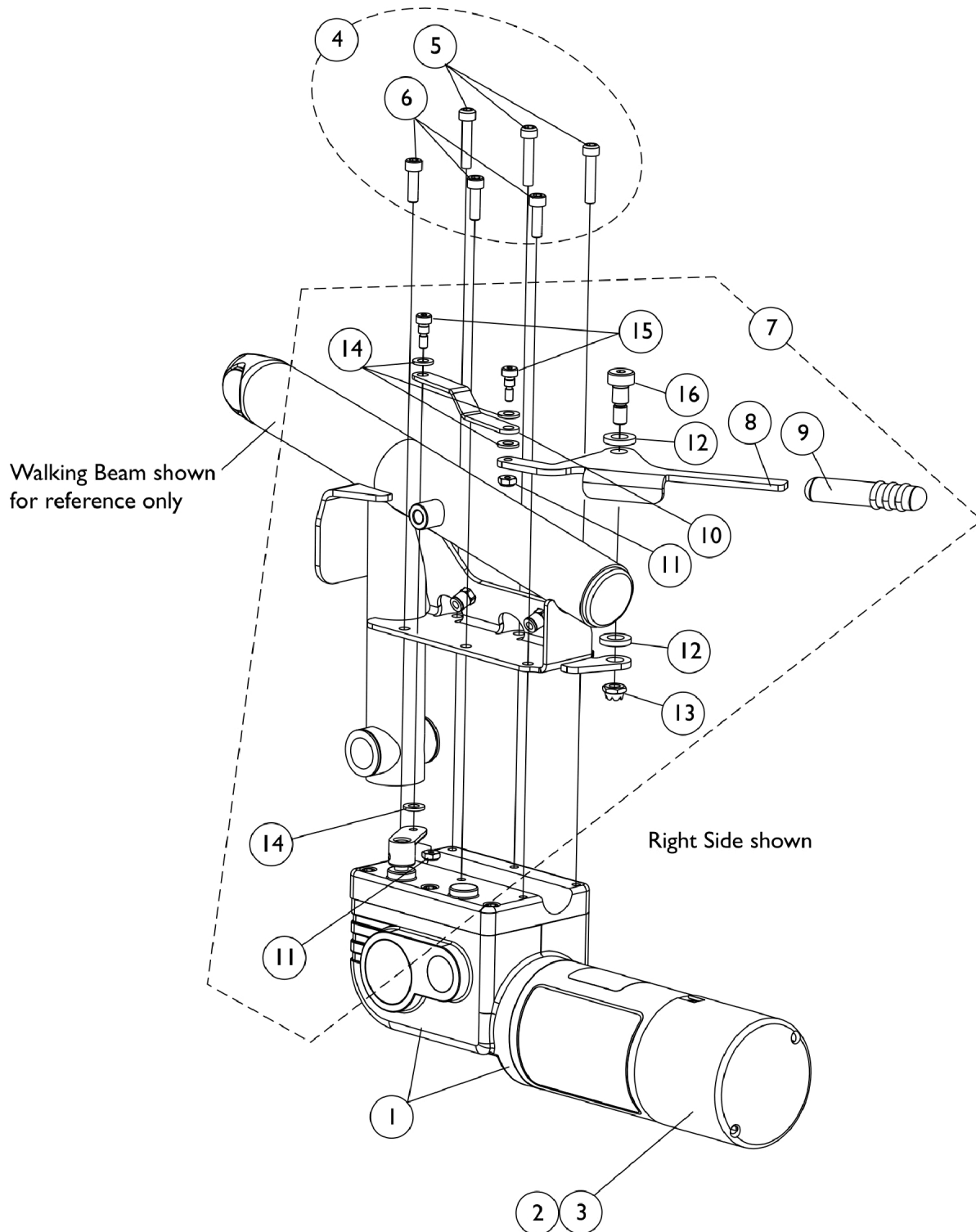


# Motor, 2-Pole, Gearbox and Mounting Hardware



## Motor, 2-Pole, Gearbox and Mounting Hardware

Item Number	Note	Part Number	Description	Quantity Per	
				Package	Assembly
1		1149561	Motor/Gearbox Assembly - Right	1	1
1		1149562	Motor/Gearbox Assembly - Left	1	1
2	A,C	1038361-NLA	NLA - Kit, Motor/Brake Covers with Screws	1	1
3	B,D	1123528-NLA	NLA - Kit, Motor Brush - Internal (Large)	1	1
4	C	1141284	Kit, Motor Mounting Hardware	1	1
5			NLA - Screw, Socket Head (M6 x 1 x 30mm)	1	3
6			Screw, Socket w/ Patch (M6 x 1 x 20mm)	1	3
7	D	1151612	Kit, Motor Release Lever Hardware - Right	1	1
8			Lever, Motor Release - Right	1	1
9			Cap, Brake Lever End, Black	1	1
10			Link, Motor, Black	1	1
11			NLA - Locknut (#10-24)	1	2
12			Washer, Nylon (13/32 x 3/4 x 1/8")	1	2
13			NLA - Locknut (M8 x 1.25)	1	1
14			Washer, Nylon (1/4 x 1/2 x 1/16")	1	4
15			Screw, Shoulder Hex Socket Head (1/4 x 1/4", #10-24)	1	2
16			Screw, Shoulder Hex Socket Head (M10 x 12 mm, M8 x 1.25)	1	1
7	D	1152686	Kit, Motor Release Lever Hardware - Left	1	1
8			Lever, Motor Release - Left	1	1
9			Cap, Brake Lever End, Black	1	1
10			Link, Motor, Black	1	1
11			NLA - Locknut (#10-24)	1	2
12			Washer, Nylon (13/32 x 3/4 x 1/8")	1	2
13			NLA - Locknut (M8 x 1.25)	1	1
14			Washer, Nylon (1/4 x 1/2 x 1/16")	1	4
15			Screw, Shoulder Hex Socket Head (1/4 x 1/4", #10-24)	1	2
16			Screw, Shoulder Hex Socket Head (M10 x 12 mm, M8 x 1.25)	1	1

NOTE: A - Includes a right and left motor brake cover with 4 screws  
 B - Includes 2 motor brushes and instruction sheet  
 C - Includes items 5 and 6  
 D - Includes items 8-16