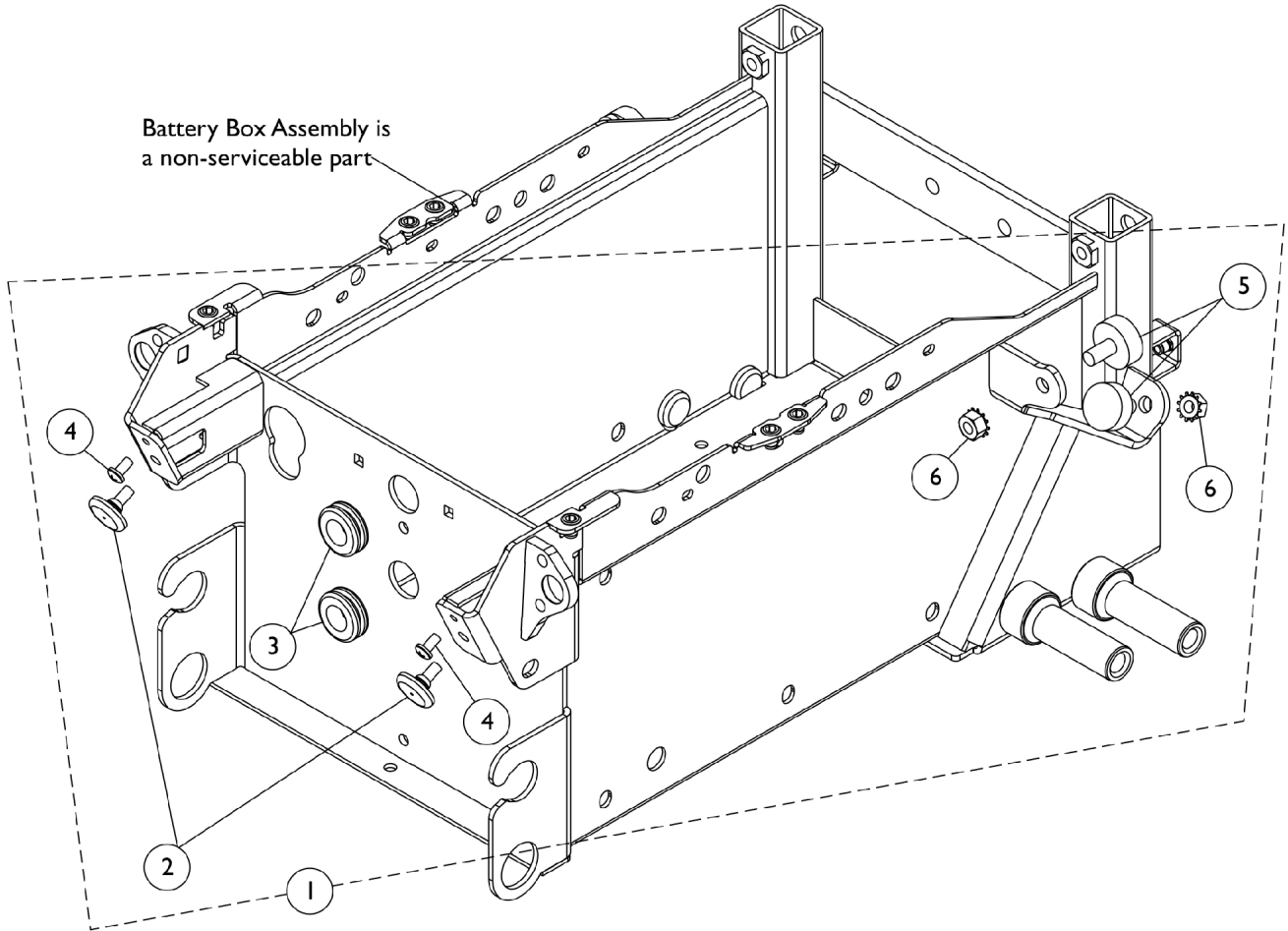


Battery Box Hardware

The Battery Boxes are non-serviceable parts. Call Technical Services for assistance (1-800-832-4707)



Battery Box Hardware

The Battery Boxes are non-serviceable parts. Call Technical Services for assistance (1-800-832-4707)

Item Number	Note	Part Number	Description	Quantity Per	
				Package	Assembly
1	A	1151611	Kit, Battery Box Rubber Bumper and Grommet Hardware	1	1
2			Bumper, Rubber (7/8" Diameter x 3/16")	1	2
3			Grommet, Rubber (9/16 ID x 1-1/16 OD x 3/8")	1	2
4			Screw, Phillips Pan Head Tap (#10-32 x 3/8")	1	2
5			Bumper, Rubber (1" Diameter x 3/8")	1	4
6			NLA - Nut, Keps (5/16-18)	1	4

NOTE: A - Includes items 2-6 and is used for TDX SC and TDX SPREE