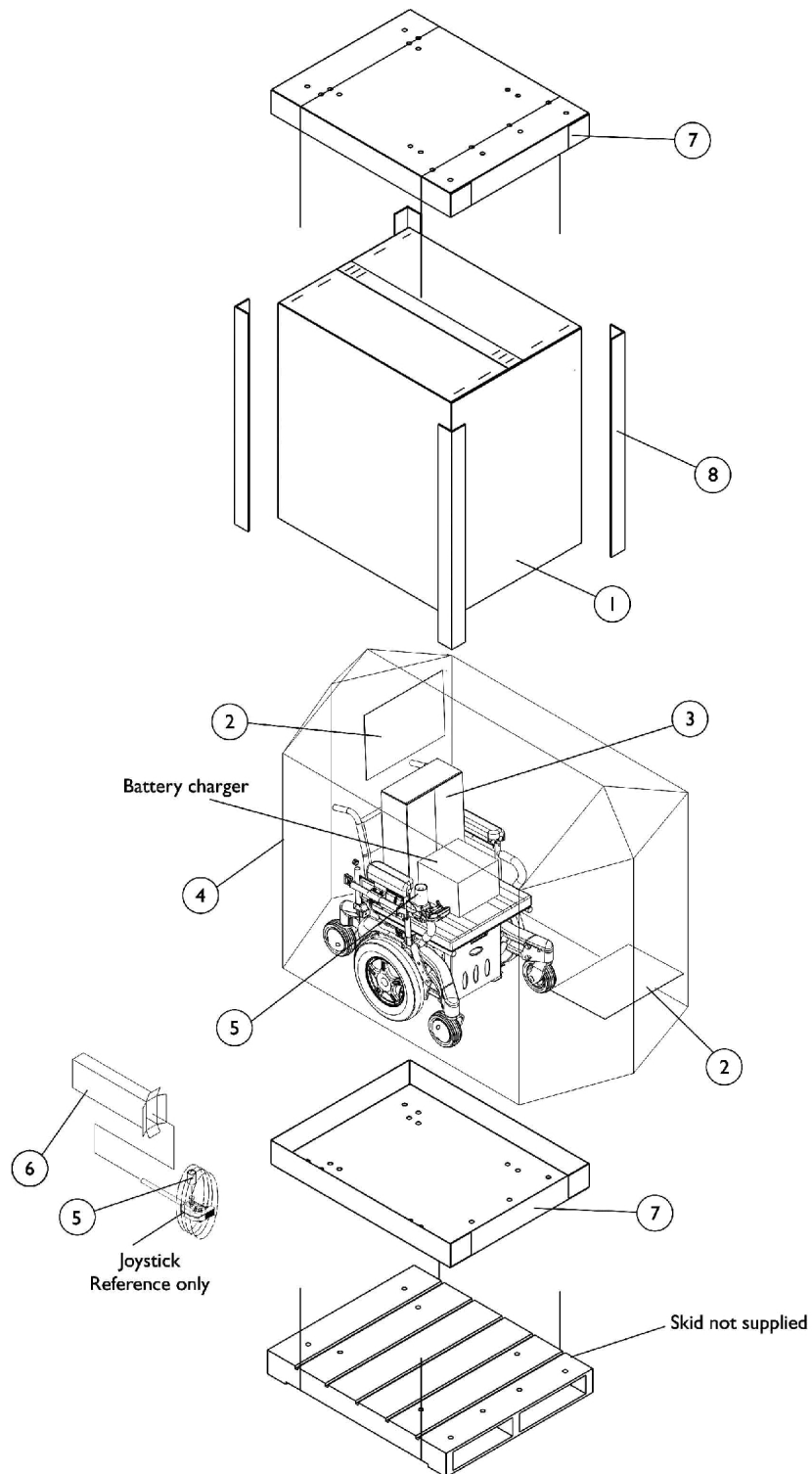


Packaging, Literature and Decals



Packaging, Literature and Decals

Item Number	Note	Part Number	Description	Quantity Per	
				Package	Assembly
1	A	1030365	Carton, Cover	1	1
1	B	1030364	Carton, Cover	1	1
1	C	1031682	Carton, Cover	1	1
1	D	1036028	Carton, Cover	1	1
2		40131X161	Insert, Plain Pad	1	2
3		40131X011-NLA	NLA - Carton, Front Riggings	1	1
4		1015592	Bag, Poly (72" L x 35" W x 19" D)	1	1
5		1043198-NLA	NLA - Tube, Paper	1	1
6	O	1012001-NLA	NLA - Carton, Joystick	1	1
7	E	1030362	Carton, Tray	1	2
7	F	1036027	Carton, Tray	1	2
8	E	1115174	Carton, Corner Reinforcement	1	4
8	C	1129589-NLA	Carton, Corner Reinforcement	1	4
8	F	1129590-NLA	Carton, Corner Reinforcement	1	4
	G	00077X031-NLA	NLA - Warranty Card	1	1
	G	1149267-NLA	NLA - Owner's Manual, TDX SC/SPREE	1	1
	G	1143192-NLA	NLA - Owner's Manual, ADJASBA Seat with MK6i Electronics	1	1
	G	1143195-NLA	NLA - Owner's Manual, Van Seat's with MK6i Electronics	1	1
	G,H,I	1149308	Decal, TDX SC, Yellow	1	2
	G,H,J	1149297	Decal, TDX SC, Black	1	2
	G,H,K	1151353	Decal, TDX SPREE w/ TDX Yellow Letters	1	2
	G,H,L	1153865-NLA	NLA - Decal, TDX SPREE w/ TDX Black Letters	1	2
	G,N	1083199-NLA	NLA - Label, Hook Tie-Down	1	4
	G,M	1164348	Mailer, Return, Mercury Free	1	1

NOTE: A - Base only and all ADJASBA seat only models
 B - 12" Wide - 20" Wide ADJASBA seat with base models & 16", 18" Van Seat models
 C - 16" Wide - 20" Wide ADJASBA seat with base models with medium and tall seat-to-floor heights
 D - 20" and 22" Van Seat models
 E - 12" Wide - 20" Wide ADJASBA seat with base. 16", 18" Van Seat models and base only models
 F - 20" and 22" Van Seat models
 G - Not Shown
 H - Model Decal attaches to the walking beam assembly
 I - The TDX SC yellow decal is used for all frame colors except 60P Silver Metallic
 J - The TDX SC black decal is used for 60P Silver Metallic frame color only
 K - The TDX SPREE decal w/ yellow TDX Letters is used for all frame colors except 30P Sunny Yellow
 L - The TDX SPREE decal w/ black TDX Letters is used for 30P Sunny Yellow frame color only
 M - For Massachusetts providers only.
 N - For TRRO/TRBKTS wheelchairs only
 O - Can use Item #3 part number for a Joystick also.

When adjusting or replacing parts, please refer to your Owner's Manual for assistance.