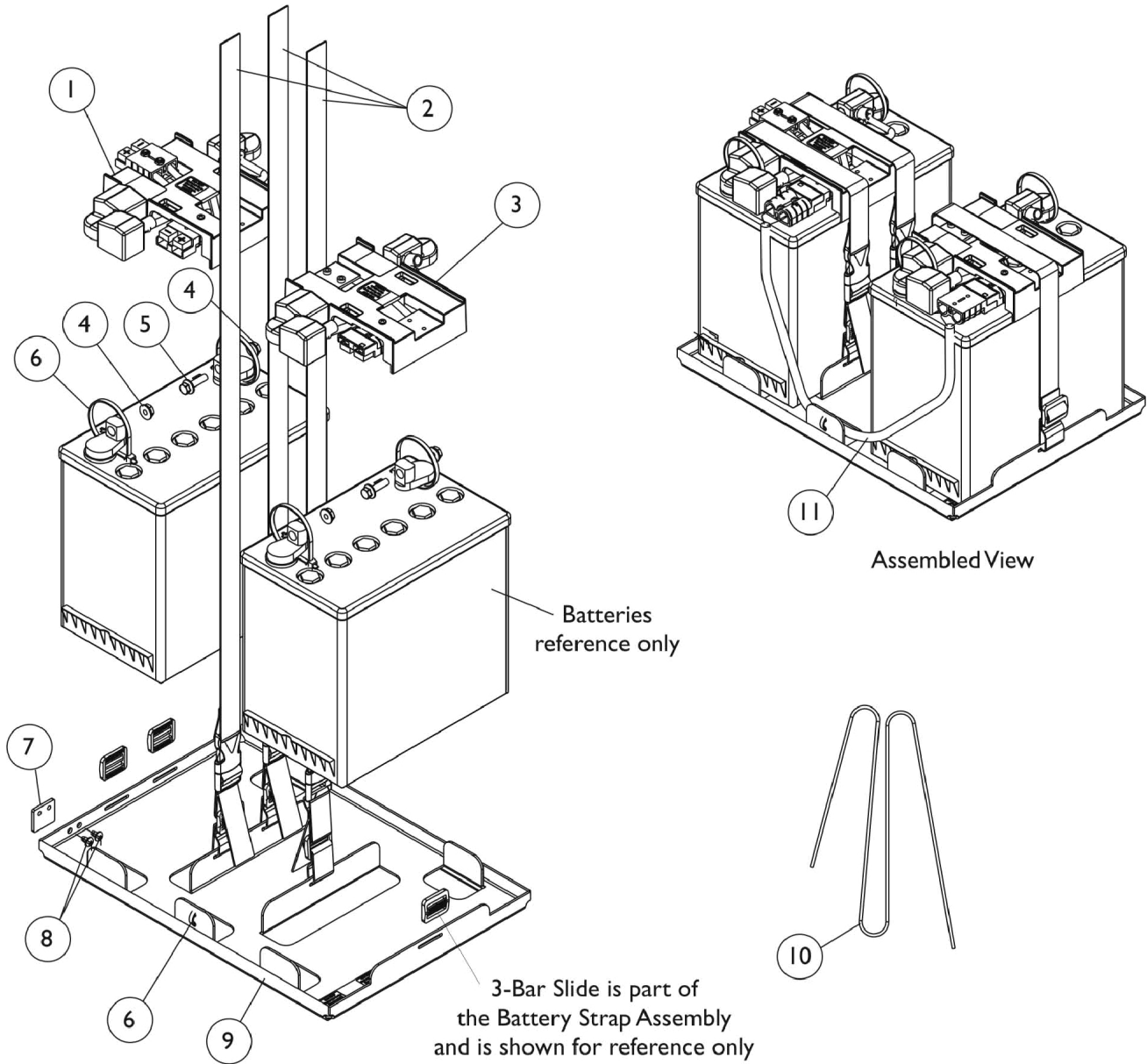


Battery Tray Assembly and Wire Harnesses For Invisible Super Low Tilt 22NF Batteries



Battery Tray Assembly and Wire Harnesses For Invisible Super Low Tilt 22NF Batteries

Item Number	Note	Part Number	Description	Quantity Per	
				Package	Assembly
1	A,B	1120263-NLA	NLA - Harness, Battery Wire with Terminal Hardware, 22NF, Rear	1	1
2		1121124-NLA	NLA - Battery Strap Assembly, 22NF and GP24	1	3
3	A,B	1120264-NLA	NLA - Harness, Battery Wire w/ Terminal Hardware, 22NF, Front	1	1
4		16721X000	Locknut (1/4-20)	1	4
5		1096799-NLA	NLA - Screw, Hex Flange Whiz Lock (1/4-20 x 7/8")	1	2
6		98007X005	Tie Wrap (11-1/2" L)	1	6
7		1117186-NLA	NLA - Bracket, Battery Tray Stop, Black	1	1
8		90017X000-NLA	NLA - Screw, Phillips Pan Head (#10-32 x 5/16")	1	2
9	C	1120265-NLA	NLA - Battery Tray Assembly, 22NF	1	1
10		50000X121	Strap, Battery Lift	1	1
11		1120237-NLA	NLA - Harness, Battery Extension	1	1
	D	1144611	Strip, Self Adhesive Wear (2-1/2' L x 1/2" W)	1	1

NOTE: A - Individual components are not available for the battery wire harnesses
B - Includes items 4-6
C - Includes items 2 and 6-8
D - Not Shown. The Self Adhesive Wear Strip is attached to the bottom side of the Battery Tray on both sides to allow removal from the Battery Box easier. One strip will accommodate both sides. Cut strip to desired length.