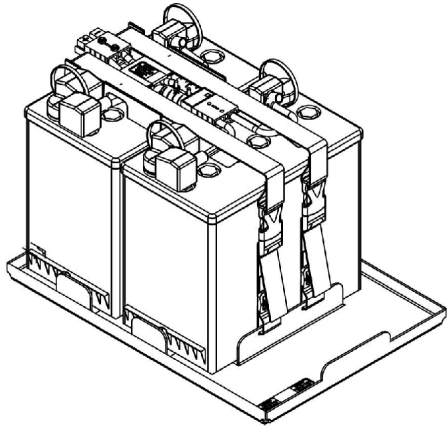
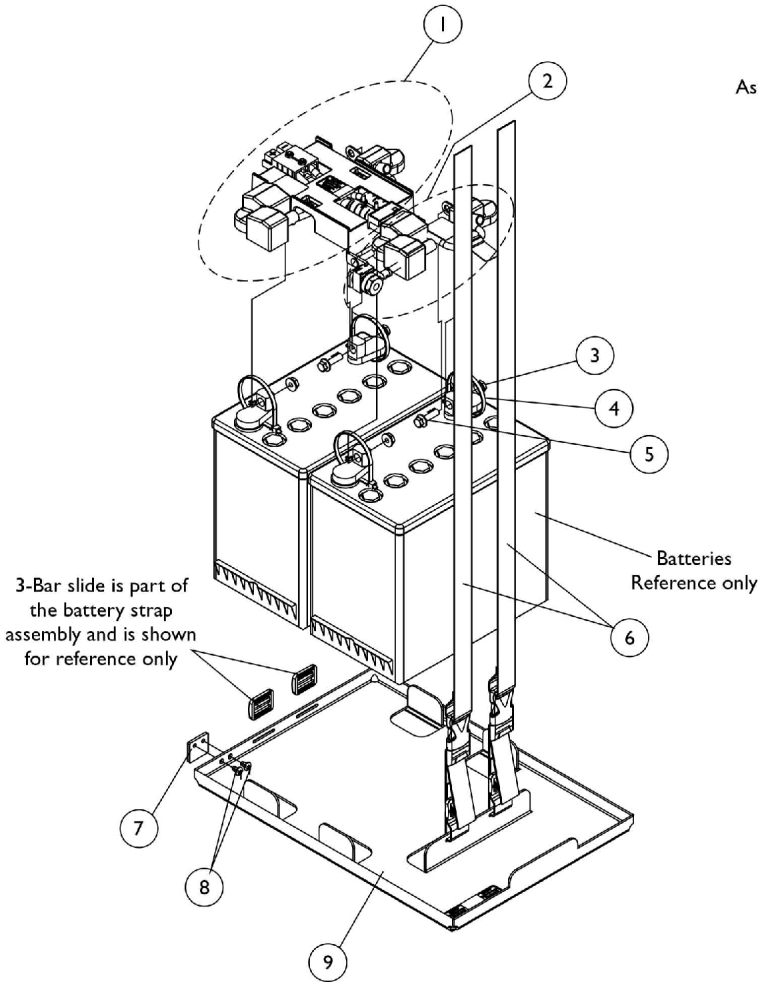


Battery Tray Assembly and Wire Harnesses 22NF Batteries



Assembled View



3-Bar slide is part of the battery strap assembly and is shown for reference only

Batteries Reference only

Battery Tray Assembly and Wire Harnesses 22NF Batteries

Item Number	Note	Part Number	Description	Quantity Per	
				Package	Assembly
1	B,A	1120363	Battery Wire Harness with Terminal Hardware, 22NF - Rear	1	1
2	B,A	1120362	Battery Wire Harness with Terminal Hardware, 22NF - Front	1	1
3		16721X000	Locknut (1/4-20)	1	4
4		1095502-NLA	NLA - Package, Tie Wrap (11-1/2" L)	10	6
5		1096799-NLA	NLA - Screw, Hex Flange Whiz Lock (1/4-20 x 7/8")	1	2
6		1121124-NLA	NLA - Battery Strap Assembly, 22NF and GP24	1	2
7		1117186-NLA	NLA - Bracket, Battery Tray Stop, Black	1	1
8		90017X000-NLA	NLA - Screw, Phillips Pan Head (#10-32 x 5/16")	1	2
9	C	1120361-NLA	NLA - Battery Tray Assembly, TDX 22NF w/o Vent	1	1
	D	1144611	Strip, Self Adhesive Wear (2-1/2' L x 1/2" W)	1	1

NOTE: A - Individual components are not available for the battery wire harnesses
B - Includes items 3-5
C - Includes items 6-8
D - Not Shown. The Self Adhesive Wear Strip is attached to the bottom side of the Battery Tray on both sides to allow removal from the Battery Box easier. One strip will accommodate both sides. Cut strip to desired length.